

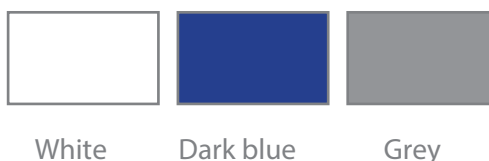
# Atlas

## WHITE RING SEAT - WITH LID - TOP FIX HINGES



<b>Product Code</b>	<b>STWHTFIXLRINGA2</b>
<b>Weight (Kg)</b>	2.2
<b>Material</b>	Plastic
<b>Soft close</b>	No
<b>Colour</b>	White
<b>Fixing</b>	Top Fix

**Blue:** STDBTFLRING2  
**White:** STWHTFIXLRINGA2  
**Grey:** STGRTFLRING2



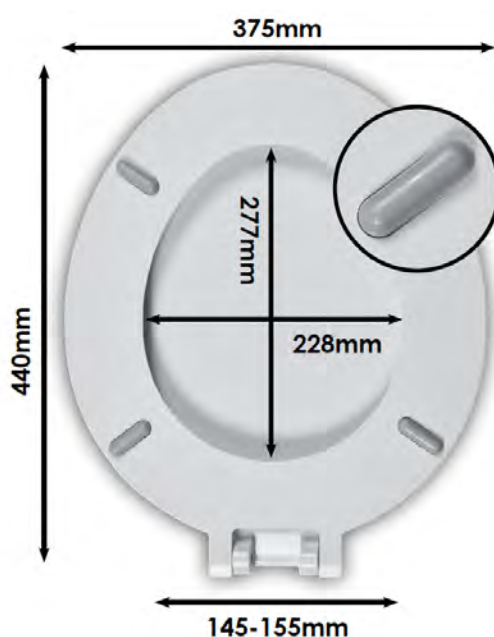
White      Dark blue      Grey

### Key features:

- UKCA Compliant
- Durable design
- Available in a choice of 3 colours
- 2 Year guarantee on standard hinge seats

### Description:

Made from highly durable thermoset plastic, this ring seat comes supplied with stainless steel hinges and is perfect for high traffic areas. Its durable design is chemical, flame and scratch resistant.



All dimensions are approximate and subject to normal variation. Although every effort is made to change the above product specification, Lecico reserve the right to do so without prior notification if necessary. All guarantees are against manufacturers defects. Full information on guarantees available upon request.