

| | |
|-----------|---|
| Brand | AXOR |
| Art. Name | AXOR One Thermostatic module for concealed installation for 1 function |
| Art. Nr. | 45711000 |
| Surface | Chrome |

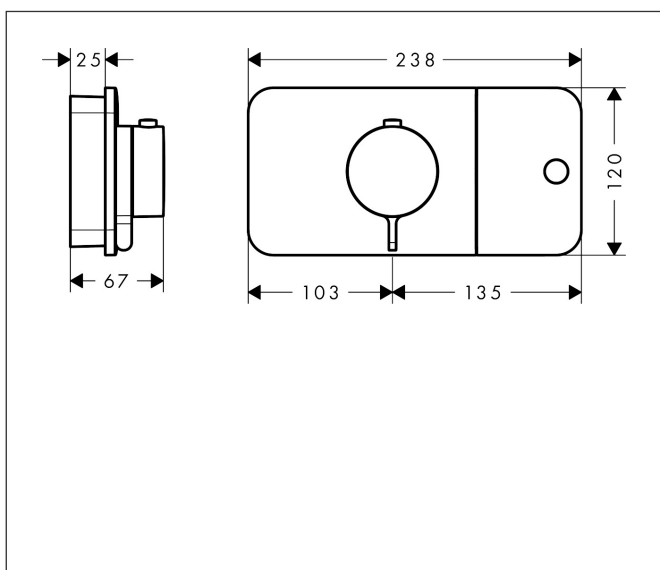
Product picture



Features

- 1 function
- comfortable turning on / off of outlets with large Select-paddle
- Eco-Function: flow rate regulation via lever handle, depending on volume flow and installation situation approx. 50% flow rate reduction
- thermostat cartridge, Start/stop valve to operate the functions
- maximum flow rate at 3 bar: 24 l/min
- flow rate per function: 24 l/min
- min. operating pressure: 1 bar
- max. operating pressure: 5 bar
- Safety stop at 40 °C
- temperature limitation adjustable
- the thermostat offers the possibility for thermal disinfection
- non-return valve
- connection type: basic set
- thermostat is delivered with button hand shower

Drawing




Technology



Brand AXOR
Art. Name **AXOR One** Thermostatic module for concealed installation for 1 function
Art. Nr. 45711000
Surface Chrome

Required parts

| Product picture | Art. Name | Art. Nr. |
|---|--|----------|
|  | AXOR AXOR One Basic set for thermostatic module for concealed installation | 45710180 |

Brand AXOR
 Art. Name **AXOR One** Thermostatic module for concealed installation for 1 function
 Art. Nr. 45711000
 Surface Chrome

Flow chart

