



THE GAP

Compact vanity unit with 2 drawers and basin

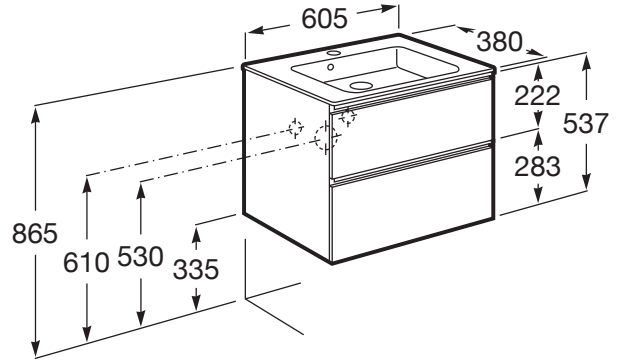
DIMENSIONS

Length	605 mm
Width	380 mm
Height	537 mm

COLOURS AND FINISHES



TECHNICAL DRAWINGS



FEATURES

- Base unit / Closing and opening system: Soft close drawers
- Base unit / Door type: Sliding
- Base unit / Doors and drawers combination: 2 drawers
- Base unit / Internal dividers
- Base unit / Structure: Drawers
- Basin / Integrated shelf
- Basin / Shelf position: On both sides
- Basin / Taphole configuration: 1 taphole in the middle
- Basin Position: Central
- Basin shape: Square
- Dimensions / Basin and base unit / Height (mm): 537
- Dimensions / Basin and base unit / Length (mm): 605
- Dimensions / Basin and base unit / Width (mm): 380
- Installation type: Wall-hung, Wall-hung with optional legs
- Material / Base unit: Chipboard
- Material / Basin: Vitreous china
- Tap installation: On the basin
- Towel rail position: Left

COMPATIBLE WITH



Set of 2 furniture hooks

816761001



Organizing box

816819409



Organizing box

816820409



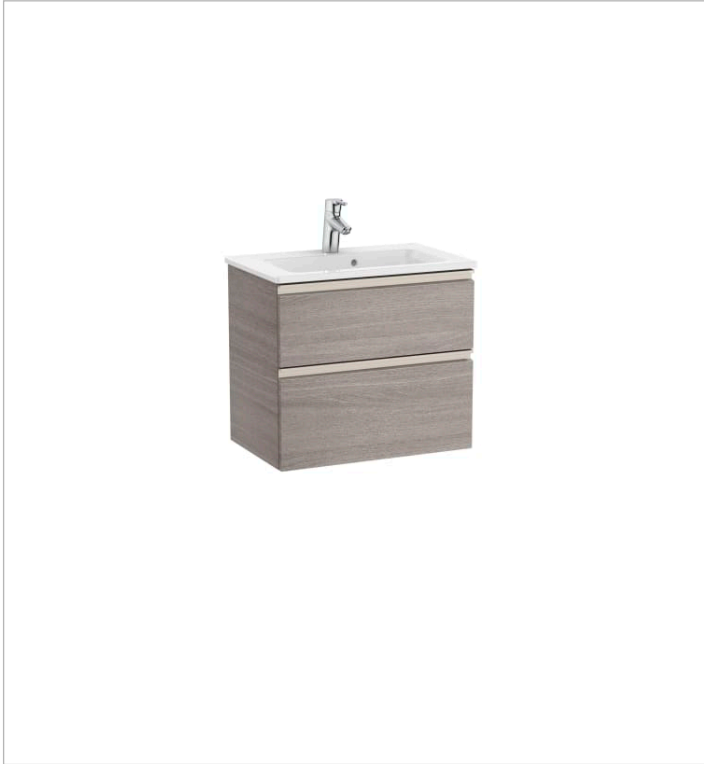
Set of two optional legs -
Aluminium finish

816826339



Set of two optional legs -
Nickel finish

816826458





The Gap

The Gap collection provides a wide range of modern design options, including WCs, basins and bathroom vanity units to optimise any space. The extensive furniture range also includes perfect solutions for compact bathrooms as well base units for on countertop basins.



INSTALLATION AND USER MANUALS



[User manual](#)