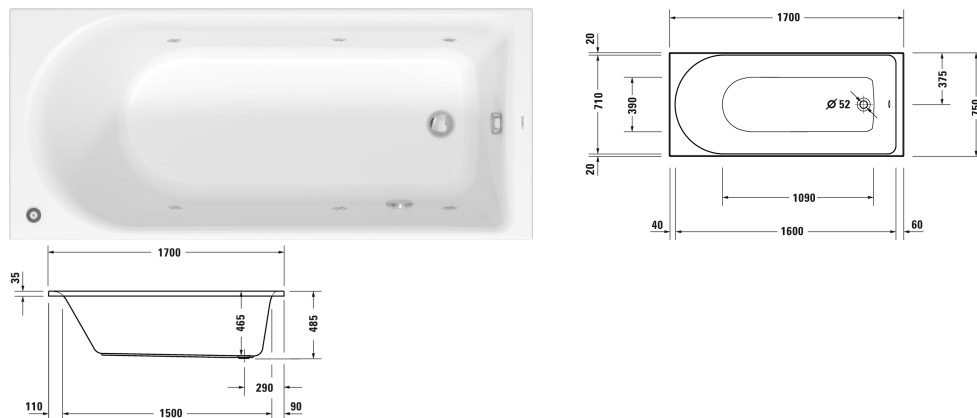


**Whirltub # 760479000JP1000**

|&lt; 1700 mm &gt;|



Whirltub	Dimension	Weight	Order number
rectangle, built-in, with one backrest slope, with support frame and waste and overflow, sanitary acrylic			
<b>Colors</b>			
00 White Alpin			
<b>Variant</b>			
Jet Project	1700 x 750 mm	38.000 kg	760479000JP1000
<b>Suitable setting</b>			
Surcharge for waste and overflow Quadroval, with water inlet, chrome, *			791205
<b>Suitable products</b>			
Bathtub anchors for mounting and support of D-Code/D-Neo/Duravit No.1 bathtubs and D-Code shower trays, 3 pieces,			790125
Rubber profile for noise reduction, length: 3300 mm, Width: 70 mm,			790126

All drawings contain the necessary measurements which are subject to standard tolerances. They are stated in mm and are non-binding. Exact measurements, in particular for customised installation scenarios, can only be taken from the finished piece.