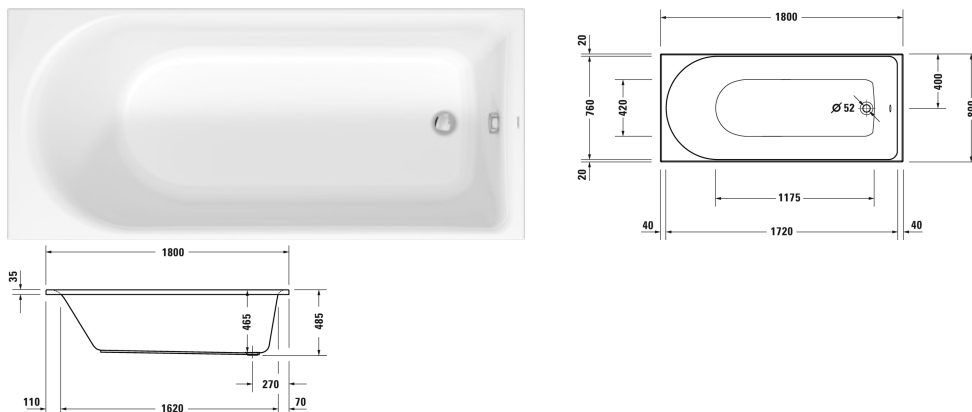


Bathtub # 70047500000000

| < 1800 mm > |



Bathtub	Dimension	Weight	Order number
rectangle, built-in, with one backrest slope, sanitary acrylic , Filling capacity 190 l , water level 370 mm			
Colors			
00 White Alpin			
Variant			
Basic model	1800 x 800 mm	27.000 kg	70047500000000
Suitable products			
Bathtub anchors for mounting and support of D-Code/D-Neo/Duravit No.1 bathtubs and D-Code shower trays, 3 pieces,			790125
Waste and overflow chrome, for D-Code/D-Neo/Duravit No.1 bathtubs with outlet sidewise, outlet diameter 52 mm, length of bowden cable 530 mm,			790225
Rubber profile for noise reduction, length: 3300 mm, Width: 70 mm,			790126
Support frame for D-Code/D-Neo/Duravit No.1 bathtubs and D-Code shower trays, with length > 1000 mm, height-adjustable from 115 - 180 mm, height-adjustable from 135 - 165 mm if a noise reduction set for shower trays is used, 2 pieces,			790127
Noise reduction set for acrylic bathtubs ****, Contents: noise reduction bathtub anchors, bitumen pads, rubber profile # 790126,			791368
Waste and overflow Quadroval with water inlet, chrome, *, for bathtubs with outlet on the side, outlet diameter 52 mm, length of bowden cable 530 mm,			792201
Styrene Support Box for # 700475,			792431

All drawings contain the necessary measurements which are subject to standard tolerances. They are stated in mm and are non-binding.

Bathtub # 700475000000000

|< 1800 mm >|

Exact measurements, in particular for customised installation scenarios, can only be taken from the finished piece.