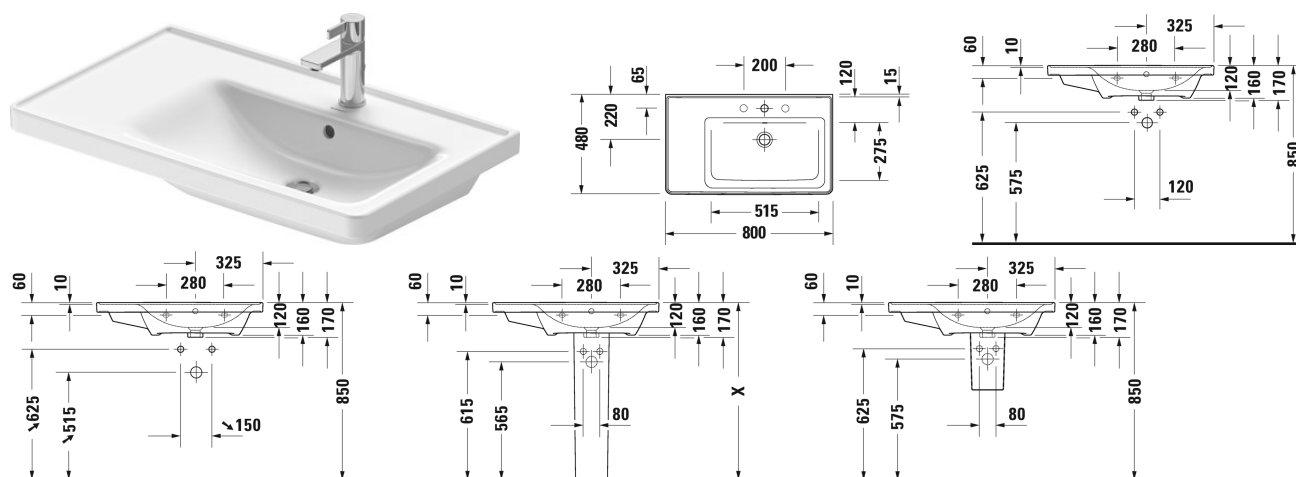


Furniture washbasin asymmetric # 2370800000 / 2370800060

| < 800 mm > |



| Furniture washbasin asymmetric | Dimension | Weight | Order number |
|--|--------------|-----------|--------------|
| with overflow, with tap platform, underneath glazed, bowl on right side, 800 mm | | | |
| Colors | | | |
| 00 White Alpin | | | |
| Variant | | | |
| ● | 800 x 480 mm | 27.000 kg | 2370800000 |
| ☒ | 800 x 480 mm | 27.000 kg | 2370800060 |
| Sanitary ceramics with the special WonderGliss surface finish will remain clean and attractive-looking for a long time to come. When ordering WonderGliss please add a "1" as eleventh digit to the model number. | | | |
| Accessory | | | |
| Push-open waste for washbasins with overflow | | 0.400 kg | 005052 |
| Design Siphon | | 1.500 kg | 005036 |
| Siphon for washbasin with outlet pipe 300 mm | 1 1/4" mm | 0.600 kg | 005026 |
| Suitable products | | | |
| Vanity unit wall-mounted 1 pull-out compartment, for D-Neo # 236780, 236980, 237080, 784 x 452 mm | 784 x 452 mm | | DE4255 |
| Vanity unit wall-mounted 1 drawer, 1 pull-out compartment, upper drawer including cut-out for siphon and siphon cover, for D-Neo # 237080 bowl on right side, 784 x 452 mm | 784 x 452 mm | | DE4358 |
| Vanity unit wall-mounted 1 pull-out compartment, Lateral shelf element, for D-Neo # 237080 bowl on right side, 784 x 452 mm | 784 x 452 mm | | DE4257 |

Furniture washbasin asymmetric # 2370800000 / 2370800060

|< 800 mm >|

| | | |
|--|--------------|-----------|
| Vanity unit wall-mounted 1 pull-out compartment, for D-Neo # 236780, 236980, 237080, 784 x 455 mm | 784 x 455 mm | K25083 |
| Vanity unit wall-mounted 2 drawers, upper drawer including cut-out for siphon and siphon cover, for D-Neo # 237080 bowl on right side, 784 x 455 mm | 784 x 455 mm | K25286 |
| Recommended faucets | | |
| Single lever basin mixer M Ceramic cartridge, Projection 113 mm, Flexible connection hoses 3/8 ", aerator adjustable, Normal spray, recommended operating pressure 3 - 5 bar, with pop-up waste set, | | C11020001 |
| Single lever basin mixer M Ceramic cartridge, Projection 139 mm, Flexible connection hoses 3/8 ", aerator adjustable, Normal spray, chrome, maximum temperature can be adjusted on installation, recommended operating pressure 3 - 5 bar, with pop-up waste set, | | B11020001 |
| Single lever basin mixer M Ceramic cartridge, Projection 139 mm, Flexible connection hoses 3/8 ", aerator adjustable, Normal spray, chrome, maximum temperature can be adjusted on installation, recommended operating pressure 3 - 5 bar, with pop-up waste set, | | B21020001 |
| Single lever basin mixer for concealed installation Normal spray, Ceramic cartridge, aerator adjustable, Connection type: basic set for concealed installation, includes: visible parts, recommended operating pressure 3 - 5 bar, Projection 174 mm, | | C11070003 |
| Single lever basin mixer M Ceramic cartridge, Projection 139 mm, Flexible connection hoses 3/8 ", aerator adjustable, Normal spray, chrome, maximum temperature can be adjusted on installation, recommended operating pressure 3 - 5 bar, without pop-up waste set, | | B11020002 |
| Single lever basin mixer for concealed installation Normal spray, Ceramic cartridge, aerator adjustable, Connection type: basic set for concealed installation, includes: visible parts, recommended operating pressure 3 - 5 bar, Projection 225 mm, | | C11070004 |
| Single lever basin mixer M Ceramic cartridge, Projection 139 mm, Flexible connection hoses 3/8 ", aerator adjustable, Normal spray, chrome, maximum temperature can be adjusted on installation, recommended operating pressure 3 - 5 bar, without pop-up waste set, | | B21020002 |
| Single lever basin mixer M Ceramic cartridge, projection 107 mm, Flexible connection hoses 3/8 ", Normal spray, chrome, maximum temperature can be adjusted on installation, recommended operating pressure 3 - 5 bar, with pop-up waste set, | | A11020001 |
| Single lever basin mixer M Ceramic cartridge, projection 107 mm, Flexible connection hoses 3/8 ", Normal spray, chrome, maximum temperature can be adjusted on installation, recommended operating pressure 3 - 5 bar, without pop-up waste set, | | A11020002 |

| | |
|--|-----------|
| Single lever basin mixer M Ceramic cartridge, Projection 109 mm, Flexible connection hoses 3/8 ", aerator adjustable, Normal spray, chrome, maximum temperature can be adjusted on installation, recommended operating pressure 3 - 5 bar, with pop-up waste set, | DE1020001 |
| Single lever basin mixer M Ceramic cartridge, Projection 109 mm, Flexible connection hoses 3/8 ", aerator adjustable, Normal spray, chrome, maximum temperature can be adjusted on installation, recommended operating pressure 3 - 5 bar, without pop-up waste set, | DE1020002 |
| Single lever basin mixer M FreshStart Ceramic cartridge, in centre position cold water, Projection 109 mm, Flexible connection hoses 3/8 ", aerator adjustable, Normal spray, chrome, maximum temperature can be adjusted on installation, recommended operating pressure 3 - 5 bar, with pop-up waste set, | DE1021001 |
| Single lever basin mixer M FreshStart Ceramic cartridge, in centre position cold water, Projection 109 mm, Flexible connection hoses 3/8 ", aerator adjustable, Normal spray, chrome, maximum temperature can be adjusted on installation, recommended operating pressure 3 - 5 bar, without pop-up waste set, | DE1021002 |
| Single lever basin mixer M Ceramic cartridge, projection 116 mm, aerator with Easy-clean spray-plate, Normal spray, connection size DN15, recommended operating pressure 3 - 5 bar, without pop-up waste set, | CE1020002 |
| Single lever basin mixer M Ceramic cartridge, projection 116 mm, aerator with Easy-clean spray-plate, Normal spray, connection size DN15, recommended operating pressure 3 - 5 bar, with pop-up waste set, | CE1020001 |
| Single lever basin mixer for concealed installation Normal spray, Ceramic cartridge, aerator with Easy-clean spray-plate, Connection type: basic set for concealed installation, recommended operating pressure 3 - 5 bar, Projection 200 mm, | CE1070004 |
| Single lever basin mixer M Ceramic cartridge, projection 122 mm, aerator with Easy-clean spray-plate, flow rate 5,0 l/min (3 bar), Normal spray, connection size DN15, recommended operating pressure 3 - 5 bar, with pop-up waste set, | WA1020001 |
| Single lever basin mixer M Ceramic cartridge, projection 122 mm, aerator with Easy-clean spray-plate, flow rate 5,0 l/min (3 bar), Normal spray, connection size DN15, recommended operating pressure 3 - 5 bar, without pop-up waste set, | WA1020002 |
| Single lever basin mixer for concealed installation Normal spray, Ceramic cartridge, aerator with Easy-clean spray-plate, flow rate 5,0 l/min (3 bar), Connection type: basic set for concealed installation, includes: visible parts, recommended operating pressure 3 - 5 bar, projection 202 mm, | WA1070004 |
| Single lever basin mixer M Ceramic cartridge, projection 129 mm, aerator with Easy-clean spray-plate, flow rate 5,0 l/min (3 bar), Normal spray, recommended operating pressure 3 - 5 bar, with pop-up waste set, | MH1020001 |
| Single lever basin mixer M Ceramic cartridge, projection 129 mm, aerator with Easy-clean spray-plate, flow rate 5,0 l/min (3 bar), Normal spray, recommended operating pressure 3 - 5 bar, without pop-up waste set, | MH1020002 |

Furniture washbasin asymmetric # 2370800000 / 2370800060

|< 800 mm >|

| | |
|---|-----------|
| Single lever basin mixer for concealed installation Normal spray, Ceramic cartridge, aerator with Easy-clean spray-plate, flow rate 5,0 l/min (3 bar), Connection type: basic set for concealed installation, recommended operating pressure 3 - 5 bar, | MH1070004 |
| Single lever basin mixer M FreshStart connection size DN15, | CE1021001 |
| Single lever basin mixer M FreshStart connection size DN15, | CE1021002 |
| Single lever basin mixer M MinusFlow connection size DN15, | CE1022001 |
| Single lever basin mixer M MinusFlow connection size DN15, | CE1022002 |
| Single lever basin mixer M FreshStart , | MH1021001 |
| Single lever basin mixer M FreshStart , | MH1021002 |
| Single lever basin mixer M MinusFlow , | MH1022001 |
| Single lever basin mixer M MinusFlow , | MH1022002 |
| Single lever basin mixer M FreshStart connection size DN15, | WA1021001 |
| Single lever basin mixer M FreshStart connection size DN15, | WA1021002 |
| Single lever basin mixer M MinusFlow connection size DN15, | WA1022001 |
| Single lever basin mixer M MinusFlow connection size DN15, | WA1022002 |

All drawings contain the necessary measurements which are subject to standard tolerances. They are stated in mm and are non-binding. Exact measurements, in particular for customised installation scenarios, can only be taken from the finished piece.