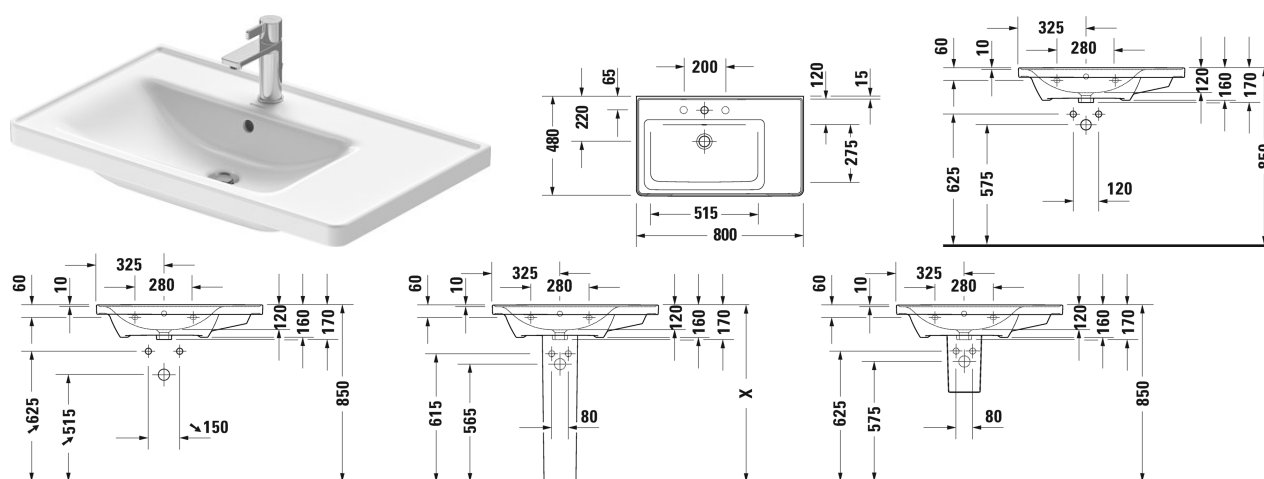


Furniture washbasin asymmetric # 2369800000 / 2369800060

| < 800 mm > |



Furniture washbasin asymmetric	Dimension	Weight	Order number
with overflow, with tap platform, underneath glazed, bowl on left side, 800 mm			
Colors			
00 White Alpin			
Variant			
●	800 x 480 mm	27.000 kg	2369800000
☒	800 x 480 mm	27.000 kg	2369800060
Sanitary ceramics with the special WonderGliss surface finish will remain clean and attractive-looking for a long time to come. When ordering WonderGliss please add a "1" as eleventh digit to the model number.			
Accessory			
Push-open waste for washbasins with overflow		0.400 kg	005052
Design Siphon		1.500 kg	005036
Siphon for washbasin with outlet pipe 300 mm	1 1/4" mm	0.600 kg	005026
Suitable products			
Vanity unit wall-mounted 1 pull-out compartment, for D-Neo # 236780, 236980, 237080, 784 x 452 mm	784 x 452 mm		DE4255
Vanity unit wall-mounted 1 drawer, 1 pull-out compartment, upper drawer including cut-out for siphon and siphon cover, for D-Neo # 236980 bowl on left side, 784 x 452 mm	784 x 452 mm		DE4357
Vanity unit wall-mounted 1 pull-out compartment, Lateral shelf element, for D-Neo # 236980 bowl on left side, 784 x 452 mm	784 x 452 mm		DE4258

Furniture washbasin asymmetric # 2369800000 / 2369800060

|< 800 mm >|

Vanity unit wall-mounted 1 pull-out compartment, for D-Neo # 236780, 236980, 237080, 784 x 455 mm	784 x 455 mm	K25083
Vanity unit wall-mounted 2 drawers, upper drawer including cut-out for siphon and siphon cover, for D-Neo # 236980 bowl on left side, 784 x 455 mm	784 x 455 mm	K25285
Recommended faucets		
Single lever basin mixer M Ceramic cartridge, Projection 113 mm, Flexible connection hoses 3/8 ", aerator adjustable, Normal spray, recommended operating pressure 3 - 5 bar, with pop-up waste set,		C11020001
Single lever basin mixer M Ceramic cartridge, Projection 139 mm, Flexible connection hoses 3/8 ", aerator adjustable, Normal spray, chrome, maximum temperature can be adjusted on installation, recommended operating pressure 3 - 5 bar, with pop-up waste set,		B11020001
Single lever basin mixer M Ceramic cartridge, Projection 139 mm, Flexible connection hoses 3/8 ", aerator adjustable, Normal spray, chrome, maximum temperature can be adjusted on installation, recommended operating pressure 3 - 5 bar, with pop-up waste set,		B21020001
Single lever basin mixer for concealed installation Normal spray, Ceramic cartridge, aerator adjustable, Connection type: basic set for concealed installation, includes: visible parts, recommended operating pressure 3 - 5 bar, Projection 174 mm,		C11070003
Single lever basin mixer M Ceramic cartridge, Projection 139 mm, Flexible connection hoses 3/8 ", aerator adjustable, Normal spray, chrome, maximum temperature can be adjusted on installation, recommended operating pressure 3 - 5 bar, without pop-up waste set,		B11020002
Single lever basin mixer for concealed installation Normal spray, Ceramic cartridge, aerator adjustable, Connection type: basic set for concealed installation, includes: visible parts, recommended operating pressure 3 - 5 bar, Projection 225 mm,		C11070004
Single lever basin mixer M Ceramic cartridge, Projection 139 mm, Flexible connection hoses 3/8 ", aerator adjustable, Normal spray, chrome, maximum temperature can be adjusted on installation, recommended operating pressure 3 - 5 bar, without pop-up waste set,		B21020002
Single lever basin mixer M Ceramic cartridge, projection 107 mm, Flexible connection hoses 3/8 ", Normal spray, chrome, maximum temperature can be adjusted on installation, recommended operating pressure 3 - 5 bar, with pop-up waste set,		A11020001
Single lever basin mixer M Ceramic cartridge, projection 107 mm, Flexible connection hoses 3/8 ", Normal spray, chrome, maximum temperature can be adjusted on installation, recommended operating pressure 3 - 5 bar, without pop-up waste set,		A11020002

Single lever basin mixer M Ceramic cartridge, Projection 109 mm, Flexible connection hoses 3/8 ", aerator adjustable, Normal spray, chrome, maximum temperature can be adjusted on installation, recommended operating pressure 3 - 5 bar, with pop-up waste set,	DE1020001
Single lever basin mixer M Ceramic cartridge, Projection 109 mm, Flexible connection hoses 3/8 ", aerator adjustable, Normal spray, chrome, maximum temperature can be adjusted on installation, recommended operating pressure 3 - 5 bar, without pop-up waste set,	DE1020002
Single lever basin mixer M FreshStart Ceramic cartridge, in centre position cold water, Projection 109 mm, Flexible connection hoses 3/8 ", aerator adjustable, Normal spray, chrome, maximum temperature can be adjusted on installation, recommended operating pressure 3 - 5 bar, with pop-up waste set,	DE1021001
Single lever basin mixer M FreshStart Ceramic cartridge, in centre position cold water, Projection 109 mm, Flexible connection hoses 3/8 ", aerator adjustable, Normal spray, chrome, maximum temperature can be adjusted on installation, recommended operating pressure 3 - 5 bar, without pop-up waste set,	DE1021002
Single lever basin mixer M Ceramic cartridge, projection 116 mm, aerator with Easy-clean spray-plate, Normal spray, connection size DN15, recommended operating pressure 3 - 5 bar, without pop-up waste set,	CE1020002
Single lever basin mixer M Ceramic cartridge, projection 116 mm, aerator with Easy-clean spray-plate, Normal spray, connection size DN15, recommended operating pressure 3 - 5 bar, with pop-up waste set,	CE1020001
Single lever basin mixer for concealed installation Normal spray, Ceramic cartridge, aerator with Easy-clean spray-plate, Connection type: basic set for concealed installation, recommended operating pressure 3 - 5 bar, Projection 200 mm,	CE1070004
Single lever basin mixer M Ceramic cartridge, projection 122 mm, aerator with Easy-clean spray-plate, flow rate 5,0 l/min (3 bar), Normal spray, connection size DN15, recommended operating pressure 3 - 5 bar, with pop-up waste set,	WA1020001
Single lever basin mixer M Ceramic cartridge, projection 122 mm, aerator with Easy-clean spray-plate, flow rate 5,0 l/min (3 bar), Normal spray, connection size DN15, recommended operating pressure 3 - 5 bar, without pop-up waste set,	WA1020002
Single lever basin mixer for concealed installation Normal spray, Ceramic cartridge, aerator with Easy-clean spray-plate, flow rate 5,0 l/min (3 bar), Connection type: basic set for concealed installation, includes: visible parts, recommended operating pressure 3 - 5 bar, projection 202 mm,	WA1070004
Single lever basin mixer M Ceramic cartridge, projection 129 mm, aerator with Easy-clean spray-plate, flow rate 5,0 l/min (3 bar), Normal spray, recommended operating pressure 3 - 5 bar, with pop-up waste set,	MH1020001
Single lever basin mixer M Ceramic cartridge, projection 129 mm, aerator with Easy-clean spray-plate, flow rate 5,0 l/min (3 bar), Normal spray, recommended operating pressure 3 - 5 bar, without pop-up waste set,	MH1020002

Furniture washbasin asymmetric # 2369800000 / 2369800060

|< 800 mm >|

Single lever basin mixer for concealed installation Normal spray, Ceramic cartridge, aerator with Easy-clean spray-plate, flow rate 5,0 l/min (3 bar), Connection type: basic set for concealed installation, recommended operating pressure 3 - 5 bar,	MH1070004
Single lever basin mixer M FreshStart connection size DN15,	CE1021001
Single lever basin mixer M FreshStart connection size DN15,	CE1021002
Single lever basin mixer M MinusFlow connection size DN15,	CE1022001
Single lever basin mixer M MinusFlow connection size DN15,	CE1022002
Single lever basin mixer M FreshStart ,	MH1021001
Single lever basin mixer M FreshStart ,	MH1021002
Single lever basin mixer M MinusFlow ,	MH1022001
Single lever basin mixer M MinusFlow ,	MH1022002
Single lever basin mixer M FreshStart connection size DN15,	WA1021001
Single lever basin mixer M FreshStart connection size DN15,	WA1021002
Single lever basin mixer M MinusFlow connection size DN15,	WA1022001
Single lever basin mixer M MinusFlow connection size DN15,	WA1022002

All drawings contain the necessary measurements which are subject to standard tolerances. They are stated in mm and are non-binding. Exact measurements, in particular for customised installation scenarios, can only be taken from the finished piece.