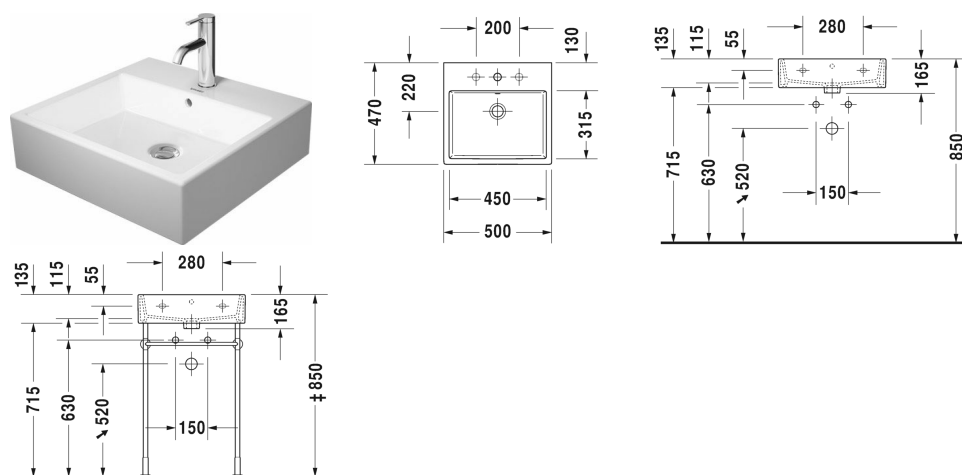


Washbasin, furniture washbasin # 2350500000 / 2350500060 /
2350500041 / 2350500070

| < 500 mm > |



Washbasin, furniture washbasin	Dimension	Weight	Order number
with tap platform, underneath glazed, 500 mm			
Colors			
00 White Alpin			
Variant			
● with overflow	500 x 470 mm	14.500 kg	2350500000
☒ with overflow	500 x 470 mm	14.500 kg	2350500060
● without overflow	500 x 470 mm	14.500 kg	2350500041
☒ without overflow	500 x 470 mm	14.500 kg	2350500070
Sanitary ceramics with the special WonderGliss surface finish will remain clean and attractive-looking for a long time to come. When ordering WonderGliss please add a "1" as eleventh digit to the model number.			
Accessory for ceramics			
Push-open waste for washbasins with overflow		0.400 kg	005052
Continuous flow waste for washbasins without overflow	75 mm	0.400 kg	005038
Accessory			
Towel rail square tube 14 mm, for washbasin # 045450, 235050, 235350	449 mm	0.500 kg	003029
Design Siphon		1.500 kg	005036
Suitable products			
Metal console height adjustable +50 mm, for washbasin # 045450, 235050,			003065

Washbasin, furniture washbasin # 2350500000 / 2350500060 / 2350500041 / 2350500070

| < 500 mm > |

Vanity unit wall-mounted 1 pull-out compartment, for Vero Air # 235050, 484 x 459 mm	484 x 459 mm	LC6174
Vanity unit wall-mounted 2 drawers, for Vero Air # 235050, 484 x 459 mm	484 x 459 mm	LC6274
Vanity unit floor-standing 2 pull-out compartments, for Vero Air # 235050, 484 x 459 mm	484 x 459 mm	LC6774
Vanity unit wall-mounted 1 pull-out compartment, for Vero Air # 235050, 484 x 459 mm	484 x 459 mm	BR4052
Vanity unit wall-mounted 2 drawers, upper drawer including cut-out for siphon and siphon cover, for Vero Air # 235050, 484 x 459 mm	484 x 459 mm	BR4152
Vanity unit floor-standing 2 pull-out compartments, for Vero Air # 235050, 484 x 459 mm	484 x 459 mm	BR4432
Vanity unit wall-mounted 1 pull-out compartment, for Vero Air # 235050, 484 x 460 mm	484 x 460 mm	XS4092
Vanity unit wall-mounted 2 drawers, upper drawer including cut-out for siphon and siphon cover, for Vero Air # 235050, 484 x 460 mm	484 x 460 mm	XS4192
Vanity unit floor-standing 2 pull-out compartments, integrated base frame legs with height adjustement, for Vero Air # 235050, 484 x 460 mm	484 x 460 mm	XS4472
Vanity unit wall-mounted 1 pull-out compartment, for Vero Air # 235050, 484 x 454 mm	484 x 454 mm	XV4233
Vanity unit wall-mounted 2 drawers, upper drawer including cut-out for siphon and siphon cover, for Vero Air # 235050, 484 x 454 mm	484 x 454 mm	XV4333
Vanity unit floor-standing 2 pull-out compartments, for Vero Air # 235050, 484 x 454 mm	484 x 454 mm	XV4533
Vanity unit wall-mounted 1 pull-out compartment, for Vero Air # 235050, 484 x 442 mm	484 x 442 mm	DE4270
Vanity unit wall-mounted 1 drawer, 1 pull-out compartment, upper drawer including cut-out for siphon and siphon cover, for Vero Air # 235050, 484 x 442 mm	484 x 442 mm	DE4370
Vanity unit wall-mounted 1 pull-out compartment, for Vero Air # 235050, 484 x 460 mm	484 x 460 mm	K25074
Vanity unit wall-mounted 2 drawers, upper drawer including cut-out for siphon and siphon cover, for Vero Air # 235050, 484 x 460 mm	484 x 460 mm	K25274
Recommended faucets		
Single lever basin mixer M Ceramic cartridge, Projection 113 mm, Flexible connection hoses 3/8 ", aerator adjustable, Normal spray, recommended operating pressure 3 - 5 bar, with pop-up waste set,		C11020001
Single lever basin mixer M Ceramic cartridge, Projection 139 mm, Flexible connection hoses 3/8 ", aerator adjustable, Normal spray, chrome, maximum temperature can be adjusted on installation, recommended operating pressure 3 - 5 bar, with pop-up waste set,		B21020001

**Washbasin, furniture washbasin # 2350500000 / 2350500060 /
2350500041 / 2350500070**

|< 500 mm >|

Single lever basin mixer M Ceramic cartridge, Projection 113 mm, Flexible connection hoses 3/8 ", aerator adjustable, Normal spray, recommended operating pressure 3 - 5 bar, without pop-up waste set,	C11020002
Single lever basin mixer M Ceramic cartridge, Projection 139 mm, Flexible connection hoses 3/8 ", aerator adjustable, Normal spray, chrome, maximum temperature can be adjusted on installation, recommended operating pressure 3 - 5 bar, without pop-up waste set,	B21020002
Single lever basin mixer M FreshStart Ceramic cartridge, in centre position cold water, projection 135 mm, Flexible connection hoses 3/8 ", flow rate 5,0 l/min (3 bar), Normal spray, connection size DN15, maximum temperature can be adjusted on installation, recommended operating pressure 3 - 5 bar, without pop-up waste set,	TU1021002
Single lever basin mixer M Ceramic cartridge, projection 135 mm, Flexible connection hoses 3/8 ", flow rate 5,0 l/min (3 bar), Normal spray, connection size DN15, maximum temperature can be adjusted on installation, recommended operating pressure 3 - 5 bar, without pop-up waste set,	TU1020002
Single lever basin mixer M Ceramic cartridge, projection 116 mm, aerator with Easy-clean spray-plate, Normal spray, connection size DN15, recommended operating pressure 3 - 5 bar, without pop-up waste set,	CE1020002
Single lever basin mixer M Ceramic cartridge, projection 116 mm, aerator with Easy-clean spray-plate, Normal spray, connection size DN15, recommended operating pressure 3 - 5 bar, with pop-up waste set,	CE1020001
Single lever basin mixer M Ceramic cartridge, projection 129 mm, aerator with Easy-clean spray-plate, flow rate 5,0 l/min (3 bar), Normal spray, recommended operating pressure 3 - 5 bar, with pop-up waste set,	MH1020001
Single lever basin mixer M Ceramic cartridge, projection 129 mm, aerator with Easy-clean spray-plate, flow rate 5,0 l/min (3 bar), Normal spray, recommended operating pressure 3 - 5 bar, without pop-up waste set,	MH1020002
Single lever basin mixer M FreshStart connection size DN15,	CE1021001
Single lever basin mixer M FreshStart connection size DN15,	CE1021002
Single lever basin mixer M MinusFlow connection size DN15,	CE1022001
Single lever basin mixer M MinusFlow connection size DN15,	CE1022002
Single lever basin mixer M FreshStart ,	MH1021001
Single lever basin mixer M FreshStart ,	MH1021002
Single lever basin mixer M MinusFlow ,	MH1022001
Single lever basin mixer M MinusFlow ,	MH1022002

All drawings contain the necessary measurements which are subject to standard tolerances. They are stated in mm and are non-binding. Exact measurements, in particular for customised installation scenarios, can only be taken from the finished piece.