

INSTALLATION

Installation - Installazione - Installation - Montage - Instalación - Montering - Монтаж
 Montáž - Paigaldamine - Εγκατάσταση - Beszerelés - Montavimas - Montāža - Instalare
 Инсталација - Montaž - Установка - Montaža - Montáž - Montaj - Інсталяція



INSTALLATION INSTRUCTION

With the cistern in place, mark and drill a 27mm diameter hole in the front panel/wall through which the lever assembly will operate.

Affix the sleeve into the cistern using the nuts and washers provided, so that the stepped end of the sleeve projects 5mm from the face of the panel/wall, see Figure 1. If there is sufficient space between the front panel/wall and the cistern, use the additional backnut as shown, see Figure 2. (It may be necessary at this point to cut the sleeve to length to suit the installation. Cut from opposite end to the stepped end of the sleeve).

Slide the spindle through the sleeve so that the end with the hole projects 28mm from the panel face. (It may be necessary to cut the spindle to length at this point to suit the installation. Cut from opposite end to that with hole).

Position a nylon friction washer on the cistern end of the spindle. Attach the lifter arm to the 'C' link and slide onto the spindle. Secure the lifter arm to the spindle using the grub screw.

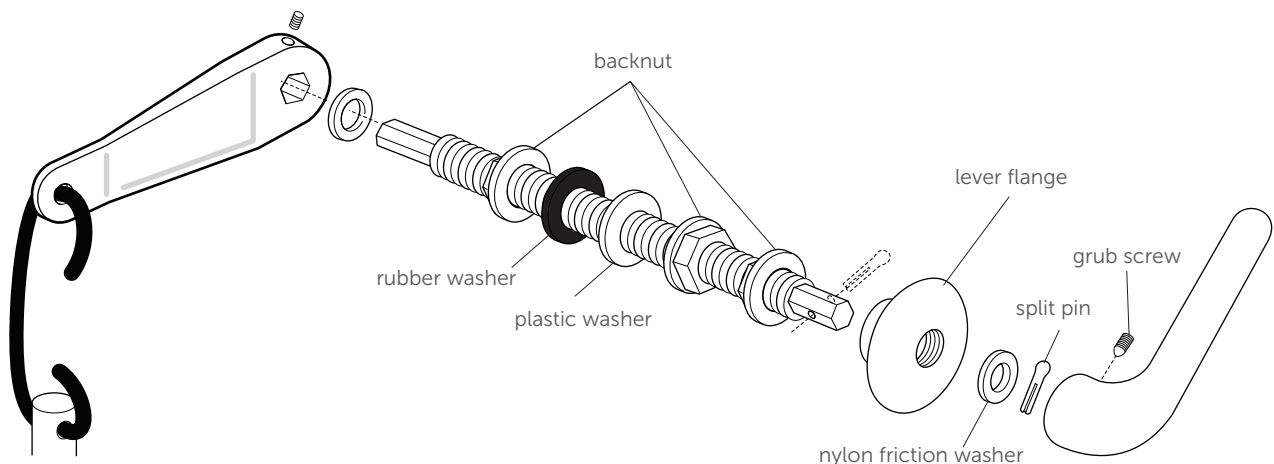
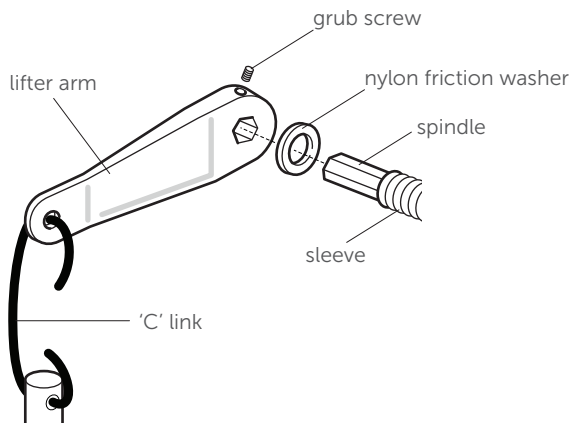
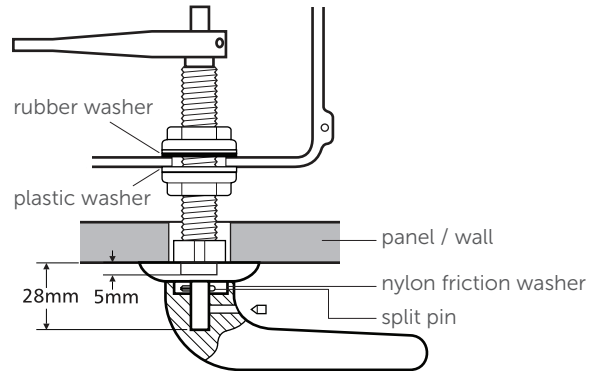


Figure 1

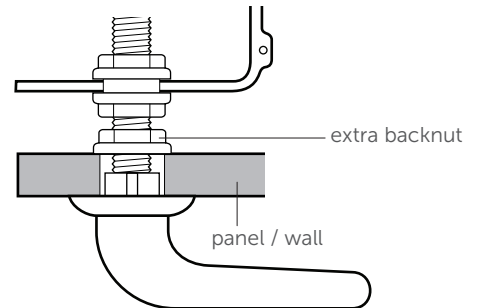


Position and secure the cistern cover. If the front panel is removable, then secure in position and screw lever flange onto the projecting sleeve.

Position a nylon friction washer onto the spindle and lock the spindle in place by inserting the split pin through the hole and spread the ends.

Align the lever handle and push onto the spindle. Secure by tightening the grub screw.

Figure 2



CUSTOMER CARE HELPLINE

01482 496318

FAX LINE 01482 499611

email: customer care@idealstandard.com

EEM34**4573**67

ver. 3.0/01.22