

Rebris S Bath spout

Finish: **Chrome** Article Number: **72430000**



Description

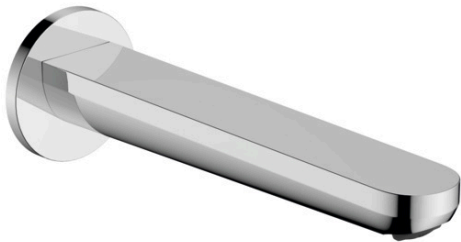
product features

- connection type: G 1/2
- with escutcheon
- projection: 200 mm
- wall-mounted
- maximum flow rate at 3 bar: 22 l/min
- spray type: normal spray

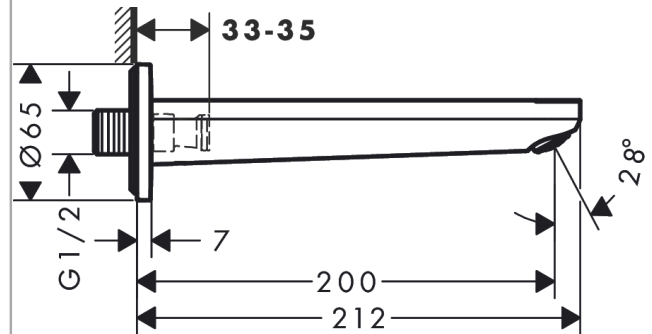
Technology



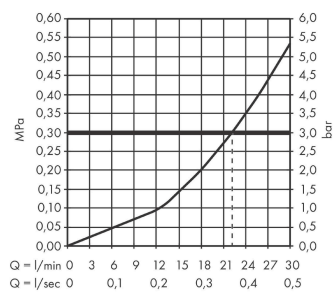
Product image



Scale drawing



Flowchart



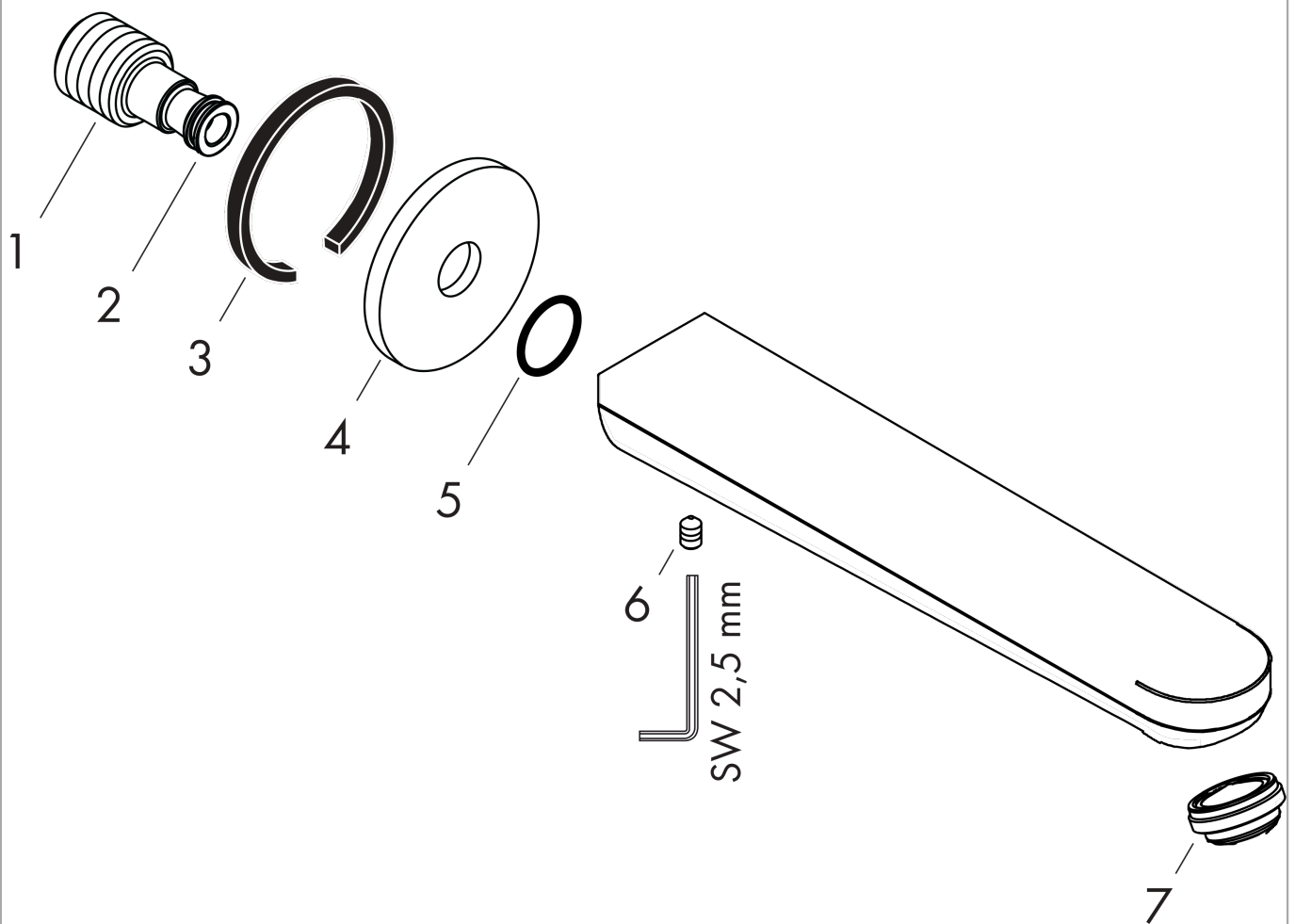
Rebris S
Bath spout

Finish: **Chrome** Article Number: **72430000**



Exploded Drawing

Year of production: >06/22



**Rebris S
Bath spout**

Finish: **Chrome** Article Number: **72430000**



Spare part list

Year of production: >06/22

Pos.	Description	Article Number	PC	PU
1	connecting thread G $\frac{3}{4}$	92504000	11	1
2	O-ring 13x2	98128000	1	1
3	seal	97530000	2	1
4	escutcheon \varnothing 65 mm	92754000	9	1
5	O-ring 18x1,5	98231000	1	1
6	hollow set screw M5x6	97768000	1	1
7	aerator M24x1 (30 l/min)	94656000	2	1
a	connecting thread G $\frac{1}{2}$	95393000	9	1