

## Basic set for single lever shower mixer for concealed installation

Surface: Article Number: **13620180**



### Description

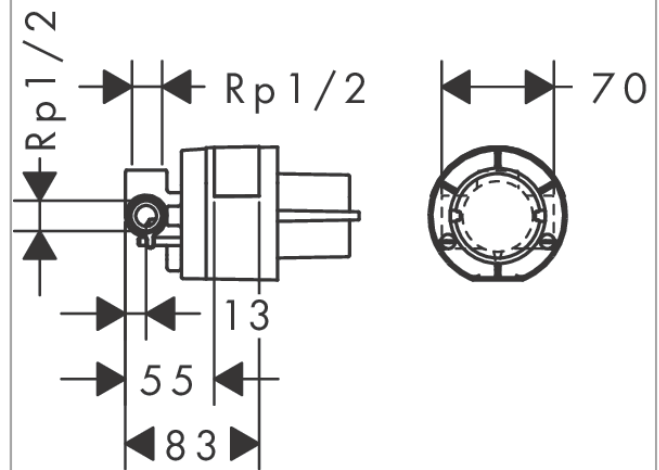
#### product features

- connection dimension: DN15
- ceramic cartridge
- temperature limitation adjustable
- minimum mounting depth: 55 mm
- maximum mounting depth: 83 mm

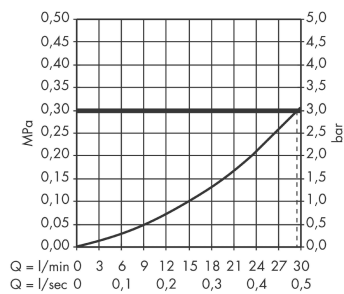
### Product image



### Scale drawing



### Flowchart



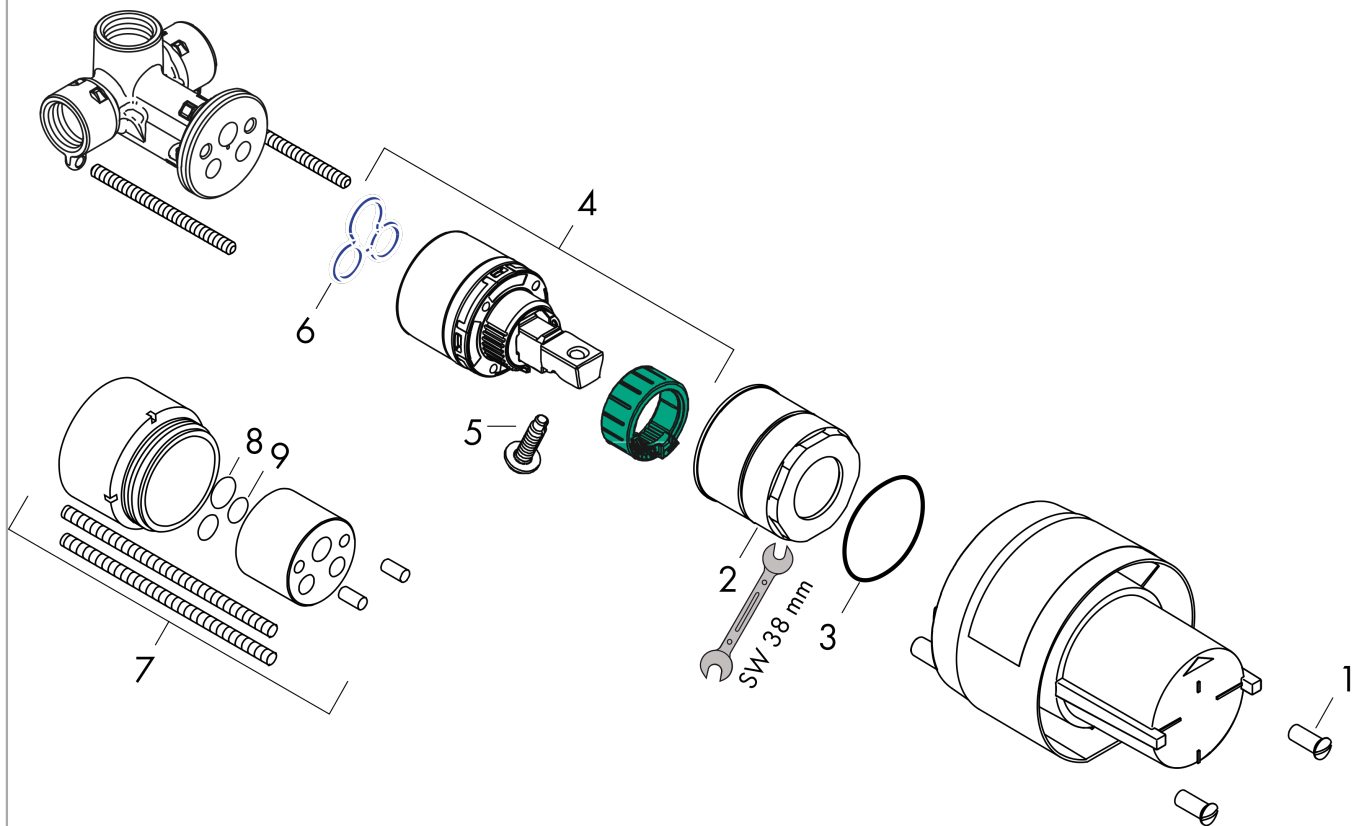
**Basic set for single lever shower mixer for concealed installation**

Surface: Article Number: **13620180**



**Exploded Drawing**

Year of production: >06/18



## Basic set for single lever shower mixer for concealed installation

Surface: Article Number: **13620180**



### Spare part list

Year of production: >06/18

Pos.	Description	Article Number	PC	PU
1	hollow screw	96065000	2	1
2	nut	95007000	10	1
3	O-ring 43x1,5	98148000	1	1
4	cartridge, assy	92730000	11	1
5	locking screw for handle	95140000	2	1
6	seal	95008000	3	1
7	extension set 28 mm shower mixer	32698000	15	1
8	O-ring 12x1,5	98430000	1	1
9	O-ring 10x1,5	98123000	1	1