

## Focus

### Single lever bath mixer Monotrou

Surface: **Chrome** Article Number: **31931000**



## Description

### product features

- 1 function
- projection: 130 mm
- spray type mixer: Normal spray
- maximum flow rate at 3 bar: 20 l/min
- ceramic cartridge
- temperature limitation adjustable
- suitable for continuous flow water heaters
- connection dimension: DN15
- connection type: G 3/8 connections
- min. operating pressure: 1 bar
- max. operating pressure: 10 bar

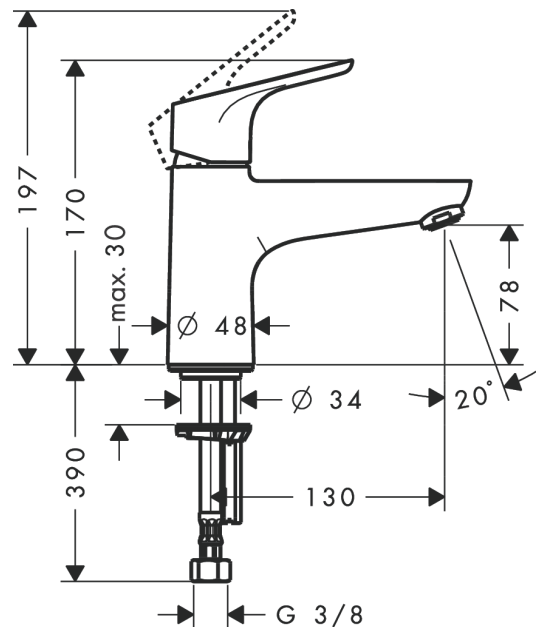
## Technology



## Product image



## Scale drawing



## Flowchart

