

Technical Datasheet

Product Code: **TK005BN**



Product Description: **Starn Brushed Nickel Kitchen Sink Mixer**

Specification

Product Guarantee:	Lifetime
Material:	Brass
Style:	Modern
Handle Type:	Lever
Tap Pressure:	Medium - High Pressure
Min Operating Pressure:	0.5 Bar
Number Of Tap Holes:	1
Projection (mm):	179
Flow Rate 0.5 Bar (L/min):	10.6
Flow Rate 1 Bar (L/min):	15
Flow Rate 2 Bar (L/min):	21.2
Flow Rate 3 Bar (L/min):	25.7
Colour:	Brushed Nickel
Tap Pressure:	Medium - High Pressure
Mount Type:	Deck Mounted



Key Features

- Lever handle for smooth operation and precise water control
- Manufactured from high quality brass
- For piece of mind, this product comes with a market leading lifetime guarantee
- High quality, long lasting nickel finish to compliment any style of bathroom
- Part of our fantastic range of taps & showers, exclusively available from Robert Lee
- Complete with ½” flexible tails

Dimensions: All measurements are in millimetres and are subject to normal manufacturing variations.

Due to a continuing development programme to improve design and performance, we reserve all rights to vary specifications without prior notice. Please note, all accessories are for photographic purposes only.

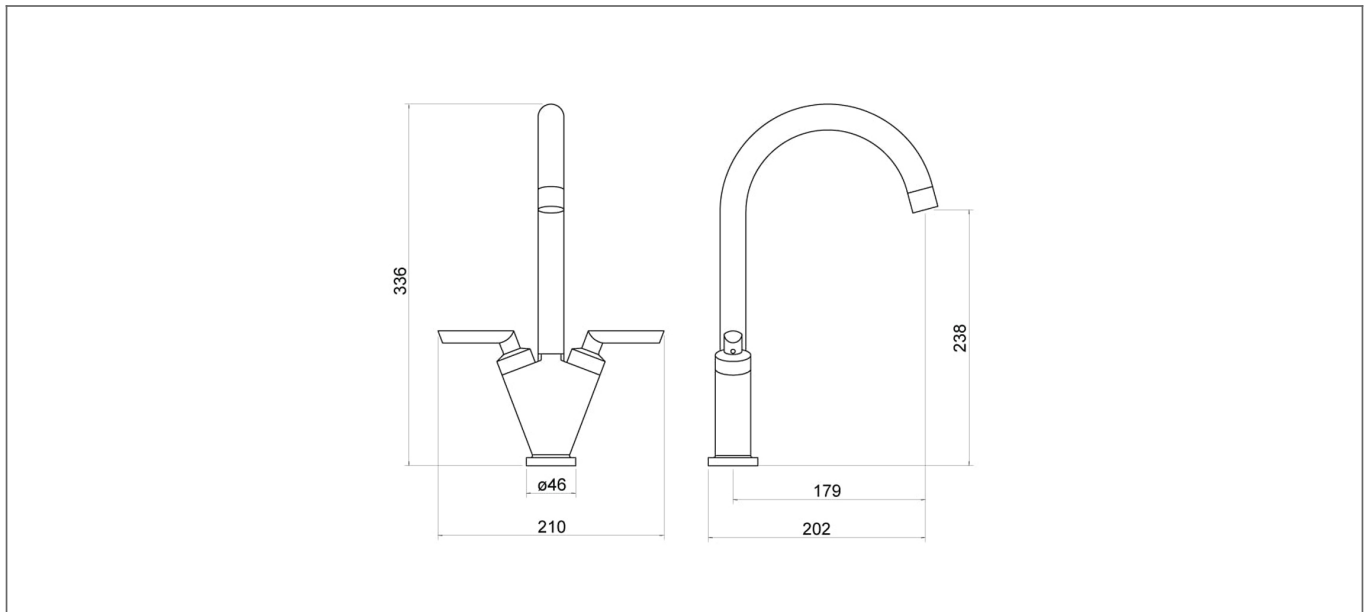
Technical Datasheet

Product Code: TK005BN



Product Description: **Starn Brushed Nickel Kitchen Sink Mixer**

Technical Drawing



Dimensions: All measurements are in millimetres and are subject to normal manufacturing variations.

Due to a continuing development programme to improve design and performance, we reserve all rights to vary specifications without prior notice. Please note, all accessories are for photographic purposes only.