

# DESIGNER SERIES COLLECTION

## DESIGNER SERIES 4 PRE-INSTALLED PUSH BUTTON CISTERN



<b>Product Code</b>	<b>DS4MPCI</b>
<b>Flushing Volume (Ltr)</b>	6/4 Standard
<b>Weight (Kg)</b>	13.1
<b>Cistern fittings included</b>	Yes
<b>Pre-installed/Bagged</b>	Pre-installed
<b>Material</b>	Vitreous China
<b>Flushing Mechanism</b>	Dual Flush Push Button
<b>Inlet</b>	RH Bottom Inlet

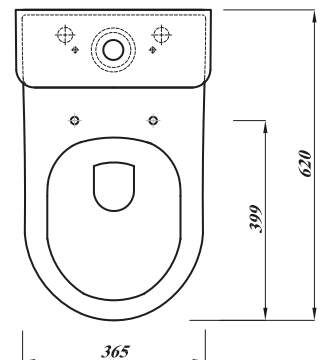
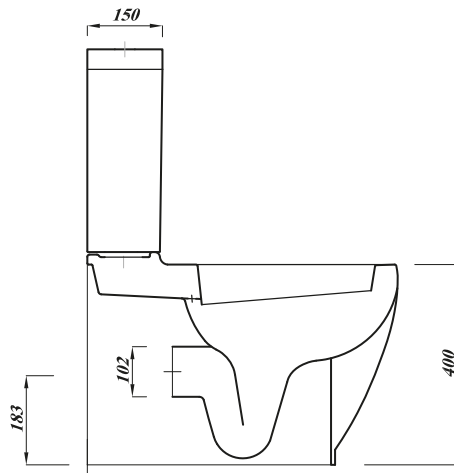
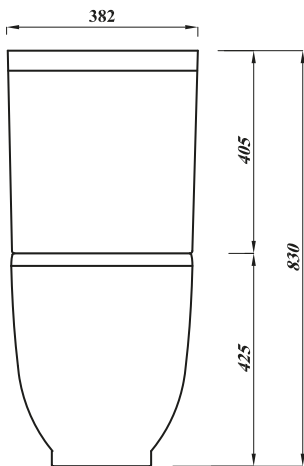
Shown: Close coupled WC.  
DS4WCSETSC

### Key features:

- Space saving
- CE Compliant
- Modern design
- Water saving option
- Cistern can be fixed to a wall

### Description:

Contemporary, stylish and bold, the solid structure and striking appearance of the WC is designed to complement a wide range of modern bathroom designs.



All dimensions are approximate and subject to normal ceramic variation. Although every effort is made not to change the above product specification, Lecico reserve the right to do so without prior notification if necessary. Lifetime ceramic guarantee against manufacturers defects. Full information on guarantees available upon request.