

ATLAS PROFESSIONAL COLLECTION

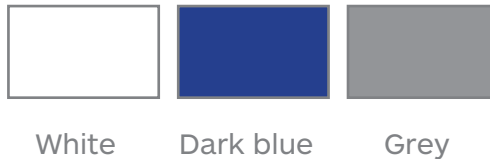
BLUE RING SEAT - WITH LID - TOP FIX HINGES



Product Code	STDBTFLRING2
Weight (Kg)	2.2
Material	Plastic
Soft close	No
Colour	Blue
Fixing	Top Fix

Blue: STDBTFLRING2
White: STWHTFIXLRINGA2
Grey: STGRTFLRING2

Shown: Ring seat
STDBLRING

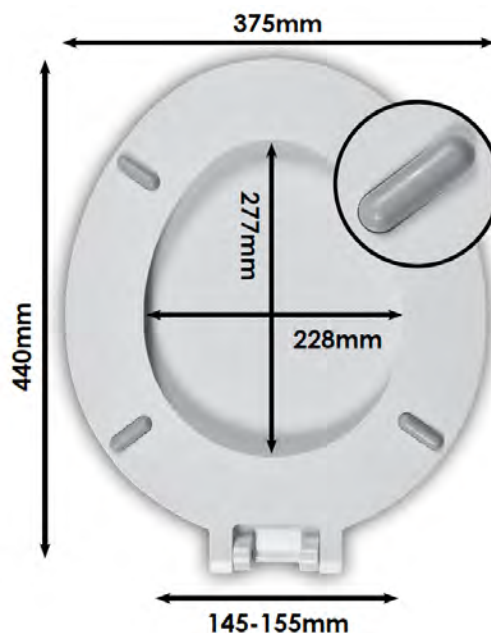


Key features:

- CE Compliant
- Durable design
- Available in a choice of 3 colours
- 2 Year guarantee on standard hinge seats

Description:

Made from highly durable thermoset plastic, this ring seat comes supplied with stainless steel hinges and is perfect for high traffic areas. Its durable design is chemical, flame and scratch resistant.



All dimensions are approximate and subject to variation. Although every effort is made not to change the above product specification, Lecico reserve the right to do so without prior notification if necessary. Full information on guarantees available upon request.