

ATLAS PROFESSIONAL COLLECTION BACK TO WALL, RIMLESS, AMBULANT DOC M PACK (GREY RAILS)



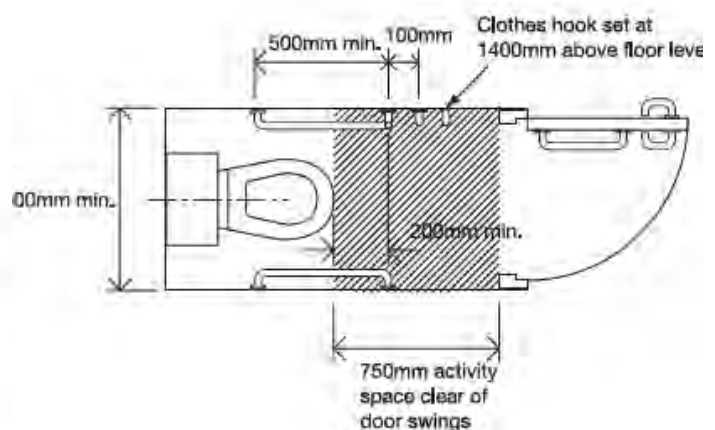
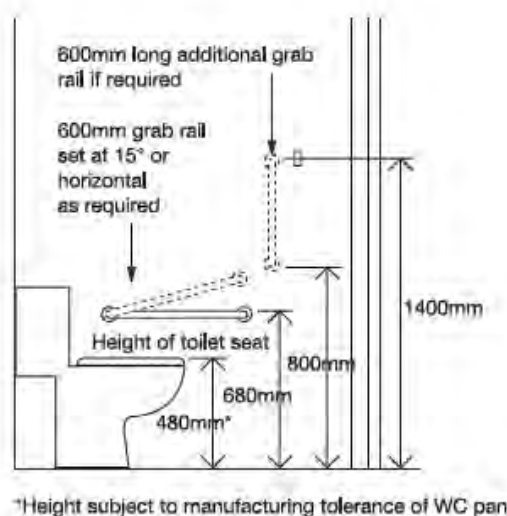
Product Code	DOCMAMBTWGR
Weight (Kg)	26
Material	Vitreous China, Mixed Plastics and Metals
Grab Rails	Concealed Grey Rails
Inlet	Bottom Inlet
Flushing Volume (L)	4/2.6ltr Flush
RAL Colour	Grey - 7005
LRV	18.52

Included in Pack:

- 3 60cm Grab rails , 1 45cm Grab rail & 1 Robe hook
- Raised Height BTW Pan and anti-lateral seat
- Concealed Cistern & Fittings Inc Spatula Lever

Description:

DocM ambulant WC's provide accessible convenience for the walking impaired. They bridge the gap between a full DocM and a standard WC. Ambulant cubicles provide sufficient space for those who are able to walk, but require additional assistance; these types of installation are not suitable for wheelchair users due to the restricted space. CE and HBN 00-10 Part C Compliant. LANTAC & WRAS Approved.



All dimensions are approximate and subject to normal ceramic variation. Although every effort is made not to change the above product specification, Lecico reserve the right to do so without prior notification if necessary. Lifetime ceramic guarantee against manufacturers defects. Full information on guarantees available upon request.