

ATLAS PROFESSIONAL COLLECTION

JUBILEE WHITE PUSH BUTTON CISTERN W/ CISTERN FITTINGS



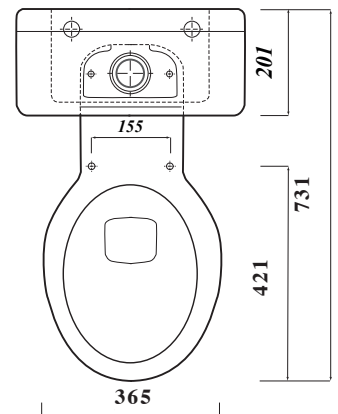
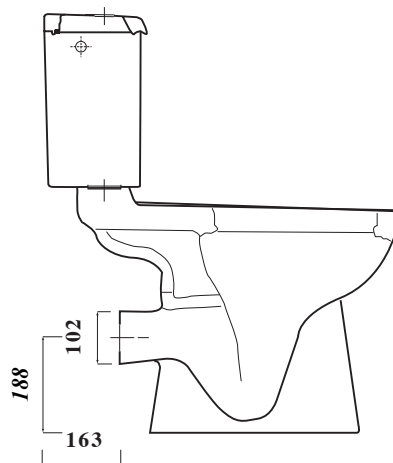
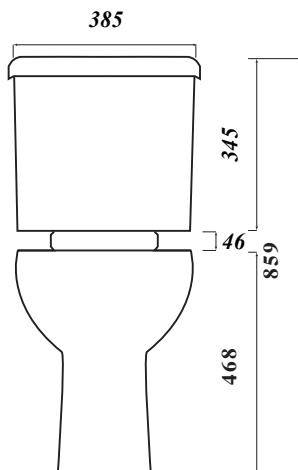
Product Code	JUWHPCI
Flushing Volume (Ltr)	6/4ltr duel flush
Weight (Kg)	12.1
Cistern fittings included	Yes
Pre-installed/Bagged	Bagged
Material	Vitreous China

Key features:

- CE Compliant
- Classic design
- Dual flush
- Right hand bottom inlet
- Lifetime ceramic guarantee*

Description:

A classic design, providing a comfort height close coupled WC for either commercial or domestic settings.



All dimensions are approximate and subject to normal ceramic variation. Although every effort is made not to change the above product specification, Lecico reserve the right to do so without prior notification if necessary.
*Against manufacturers defects. Full information on guarantees available upon request

ATLAS PROFESSIONAL COLLECTION

DOC M CLOSED COUPLED PAN



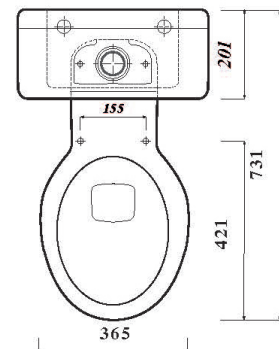
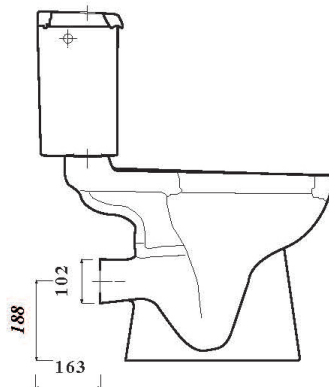
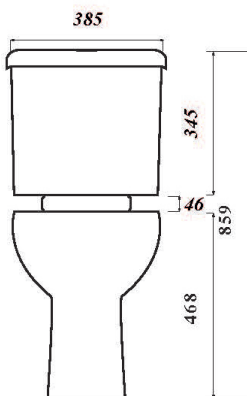
Product Code	DOCMNPAN
Weight (Kg)	18.4kg
Material	Vitreous China
Soft close	No
Colour	White

Key features:

- Horizontal outlet
- CE Compliant
- Classic close coupled design
- Raised height for more comfort
- Lifetime ceramic guarantee*

Description:

Providing a comfort height close coupled pan for either commercial or domestic settings. This classic design is a great option for when substance trumps style.



*Against manufacturing defects. All dimensions are approximate and subject to normal ceramic variation. Although every effort is made not to change the above product specification, Lecico reserve the right to do so without prior notification if necessary.

ATLAS PROFESSIONAL COLLECTION

UNIVERSAL SEAT WITH STAINLESS STEEL HINGES



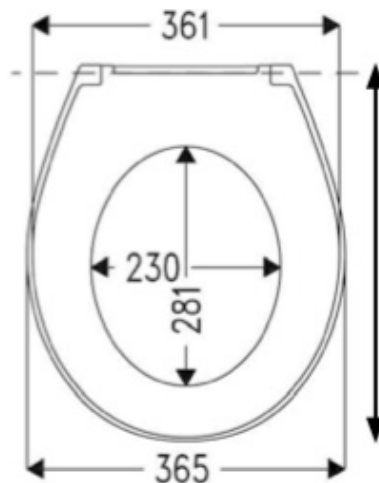
Product Code	STWHSSUNP
Weight (Kg)	1.3
Material	Plastic
Soft close	No
Colour	White

Key features:

- Standard hinge is stainless steel
- Fast Fix hinge kit with standard seat
- CE compliant

Description:

Made from highly durable polypropylene, this seat is available with either a standard or soft close hinge.



All dimensions are approximate and subject to variation. Although every effort is made not to change the above product specification, Lecico reserve the right to do so without prior notification if necessary.