

ATLAS PROFESSIONAL COLLECTION

WALL HUNG PAN FIXING KIT



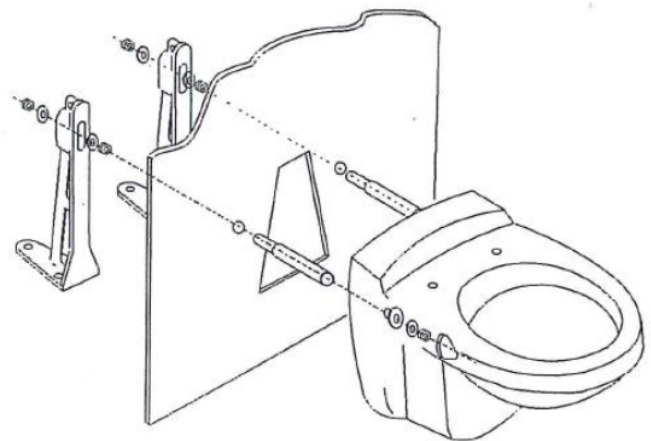
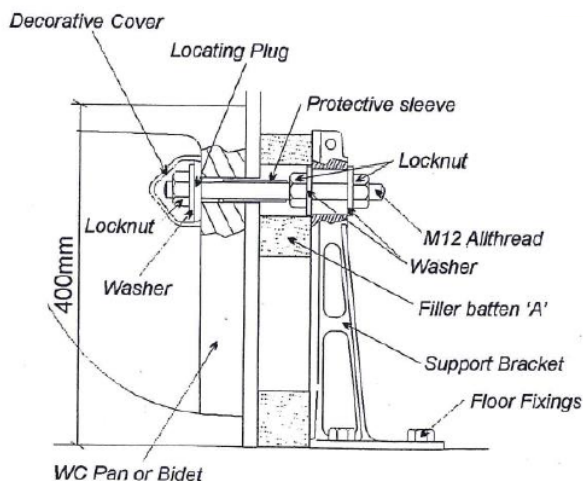
Product Code	BRACKWHKIT
Colour	Grey Painted Finish
Weight (Kg)	3.5
Cistern fittings included	No
Material	Cast Iron

Key features:

- Wall-hung WC pan support brackets
- Supplied without cistern

Description:

This Wall hung pan fixing kit passes the 400Kg load test bases on standard: EN 997. The vertical slot offers WC pan height fixing flexibility. The cantilever brackets on their own are: BRACKWHP and the wall hung fixing bolts on their own are: BRACKFK



All dimensions are approximate and subject to normal variation. Although every effort is made not to change the above product specification, Lecico reserve the right to do so without prior notification if necessary. Full information on guarantees available upon request.