

ATLAS PROFESSIONAL COLLECTION BASIN BRACKETS (PAIR)



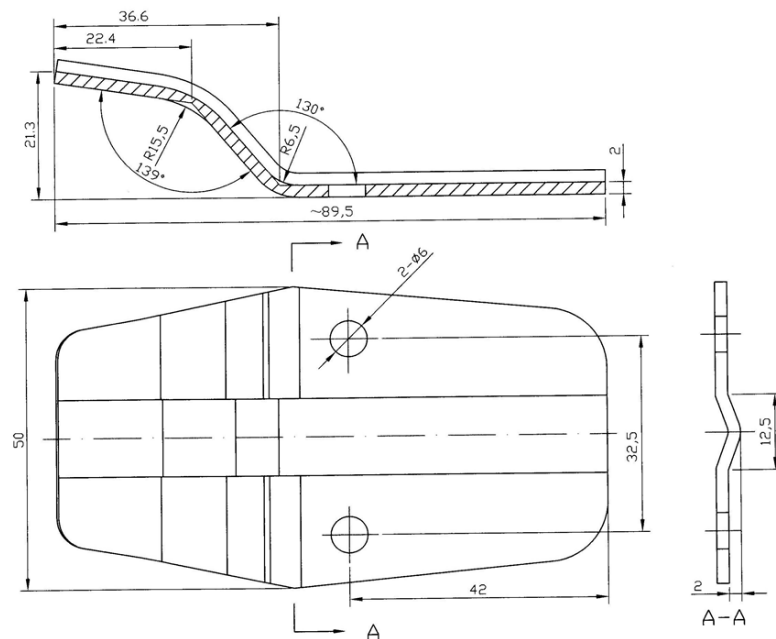
Product Code	BRACK
Weight (Kg)	0.1
Material	Steel

Key features:

- CE Compliant

Description:

Brackets for Basin



All dimensions are approximate and subject to normal ceramic variation. Although every effort is made not to change the above product specification, Lecico reserve the right to do so without prior notification if necessary. *Against manufacturers defects. Full information on guarantees available upon request.