

WATER METERS

Introduction

Inta's range of hot and cold magnetic drive water meters provide an accurate and reliable way of monitoring water usage for properties when fitted on the dedicated supply line. Our water meters feature a 360° rotatable meter for ease of reading and are supplied with pipe fittings.



- magnetic drive water meter
- low transmission resistance
- sealed dry dial ensures clear reading
- 360° rotatable meter enables easy reading in any orientation
- maximum working pressure 16 bar
- technical data conforms to ISO 4064
- ISO class B classification for horizontal installation
- pipe connections supplied

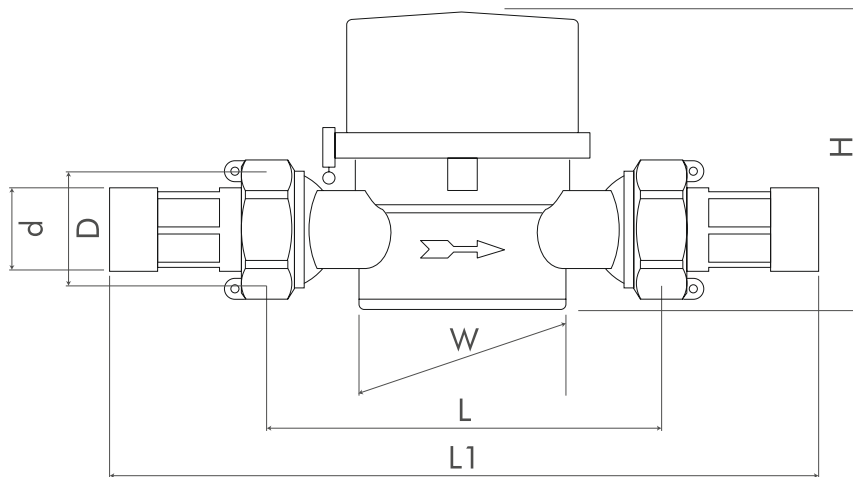


Product Range

Description	
1/2" cold water meter	WM12C
3/4" cold water meter	WM34C
1" cold water meter	WM01C
1/2" hot water meter	WM12H
3/4" hot water meter	WM34H

WATER METERS

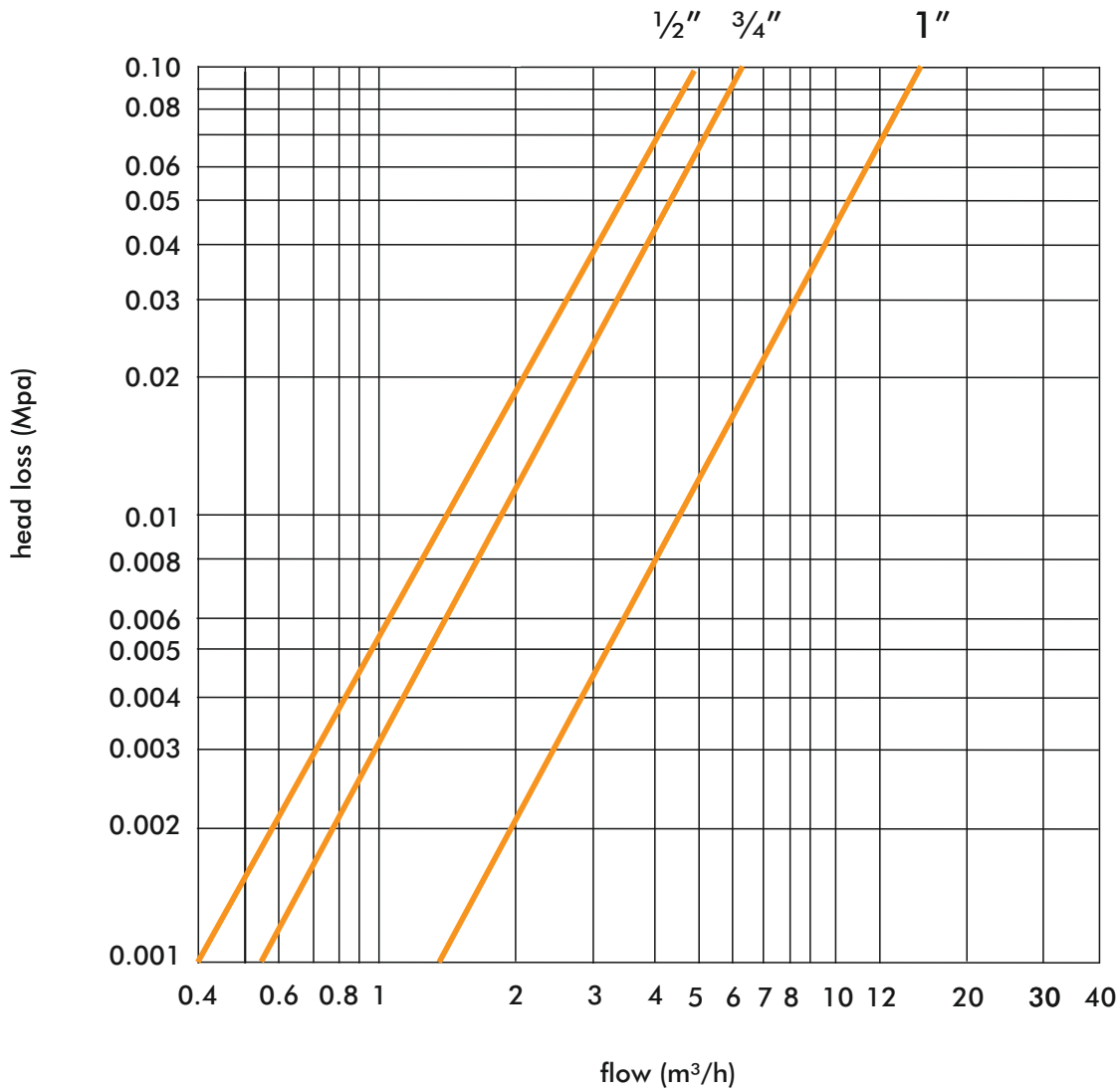
technical specification



meter thread	D	-	G 1/4" B	G 1" B
connector thread	d	-	R 1/2"	R 1/4"
meter length	L	mm	110	130
overall length	L1	mm	204	234
width	W	mm	80	80
meter height	H	mm	88	88
meter weight	-	kg	0.6	0.7
weight with connector	-	kg	0.78	0.98
maximum flow rate	-	m ³ /h	3	5
nominal flow rate	-	m ³ /h	1.5	2.5
transition flow rate	-	l/h	120	200
minimum flow rate	-	l/h	30	50

WATER METERS

— flow rate graph



WATER METERS

