

shower valves - Acura



■ Acura Exposed Sequential Control with top or bottom outlet 90033CP



■ Acura Exposed Sequential Control 90030CP



■ Acura Concealed Sequential Control 90032CP

Introduction

The Acura concealed and Exposed Sequential showers have been developed by adopting the principles of inclusive design. As a result the Acura delivers a shower which is suitable for any user, regardless of their sight or dexterity.

Inta's Acura Showers have been designed to give you the best of both worlds, offering the ultimate balance between excellent performance and the latest designs to suit every bathroom.

- Sequential control shower valve for combined control of temperature and flow
- Suitable for use with unvented supplies, combi boilers, gravity and mains pressure systems
- Single piece thermal cartridge technology
- Factory set at 43°C to prevent scalding
- Temperature stability of $\pm 2^{\circ}\text{C}$
- Fail safe on hot and cold supplies
- Operating pressure range of 0.2 to 5 bar
- WRAs approved
- TMV3 scheme approved
- Exposed and concealed models available
- Chrome finish
- Full range of kits to suit

Product Range

Description	Code
Acura thermostatic exposed sequential control shower	90030CP
Acura thermostatic concealed sequential control shower	90032CP
Acura thermostatic exposed sequential control shower with top or bottom outlet	90033CP

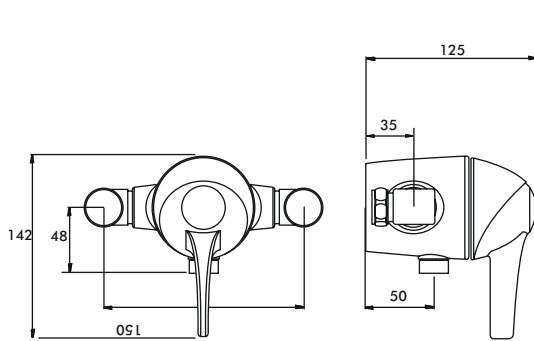


shower valves - **Acura**

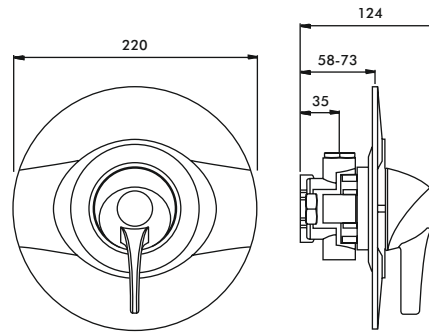
Features

■ Technical Specification

Max Dynamic Inlet Pressure	5 Bar
Max Static Inlet Pressure	12 Bar
Min Inlet Pressure	0.2 Bar
Max inlet Temperature	85°C
Factory Pre-set Temperature	43°C
Inlet Connections	15mm
Outlet Connections	½" BSP
Min temperature differential to achieve hot or cold failsafe	10°C
System Installation	Unvented, Pressurised, Gravity and Combination Boilers



■ Acura Exposed Sequential Control



■ Acura Concealed Sequential Control

■ Flow Rates

