

K BF C

COLONIAL Tap Range Colonial Bath Filler Chrome



Features:

- Metal back nuts for added durability
- Supplied with metal handles
- Chrome plated to BS EN 248

Product Certifications:



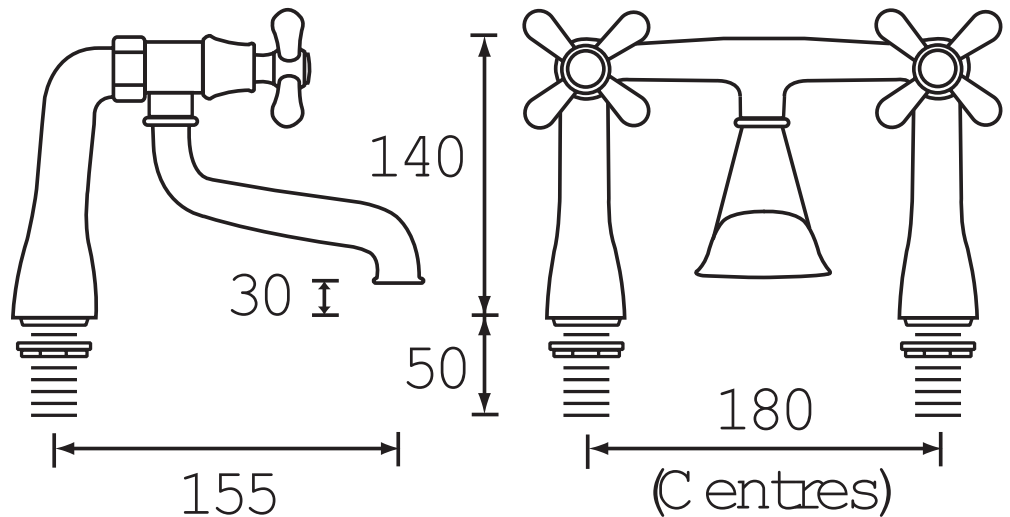
For more products, visit our website:
<http://www.bristan.com>



Specification

| | |
|-----------------------------------|-----------------------------|
| Product Type: | Bathroom Taps |
| Main Construction Material: | Brass |
| Mount Type: | Deck Mounted |
| Handle Type: | Crosshead Handles |
| Connection Inlet: | 3/4" BSP |
| Connection Outlet: | N/A |
| Number of Tap Holes: | 2 |
| Valve/Cartridge Type: | 1/2" Standard Valves |
| Plumbing System Requirements: | All - Ideally Balanced |
| Working Pressure Range: | Min. 0.2 Bar - Max. 8.0 Bar |
| Maximum Hot Water Temperature: °C | 65 |
| Maximum Static Pressure: (bar) | 10 |
| Flow Type: | Single Flow |
| Isolation Included: | No |

Dimensions (measurements in mm)



Flow Rates (l/min)

| System Pressure (bar) | 0.2 | 0.5 | 1 | 2 | 3 | 5 |
|-----------------------|------|------|------|-------|-------|-------|
| K BF C | 36.5 | 60.9 | 86.5 | 122.3 | 149.8 | 193.4 |

TECHNICAL DATA SHEET



BRISTAN

D5