

Concept Back To Wall Pan HO

ILLUSTRATED

- E7916** Concept back to wall WC pan with horizontal outlet
- S3643** Conceala 2 4.5/3 or 4/2.6 litre cistern, dual flush valve, side supply, internal overflow, alternative height plastic flushbends, no flushplate/button
- E7917** Concept toilet seat and cover, slow close
- E4437** Contemporary flush plate, dual flush, Ideal Standard logo for Conceala 2 cisterns

OPTIONS

- E2125** Conceala 2 concealed cistern universal height, side inlet cistern - pneumatic dual flush valve - no flushplate - 6/4 litre flush
- S3617** Conceala 2 4.5 or 6 litre cistern, single flush syphon, side supply, internal overflow, plastic flushbend and long CP lever
- S3640** Conceala 2 4.5 litre cistern, single flush valve, side supply, internal overflow and alternative height plastic flushbends
- S4270** Conceala 2 delay fill 4.5 litre cistern, single flush valve, bottom supply, internal overflow and alternative height plastic flushbends
- S3620** Conceala 2 4.5 or 6 litre cistern, single flush syphon, side supply, internal overflow, alternative height plastic flushbends, no lever
- S3621** Conceala 2 4.5 or 6 litre cistern, single flush syphon, bottom supply, internal overflow, alternative height plastic flushbends, no lever
- S3599** Sensorflow 21 WC flushing device, panel mounted sensor complete with concealed valve and 4 or 4.5 litre duct cistern
- S3604** Sensorflow 21 WC flushing device, panel mounted sensor complete with concealed valve and 4 or 4.5 litre delay fill duct cistern
- S3636** Conceala 2 delay fill 4.5/3 or 4/2.6 litre cistern, dual flush valve, bottom supply, internal overflow, alternative height plastic flushbends, no flushplate
- E7918** Concept toilet seat and cover
- E7726** Concept toilet seat and cover, slim with quick release, slow close
- E7725** Concept toilet seat and cover, slim
- E3222** Panekta outlet connector, finned pattern to convert horizontal outlet wcs to P trap
- S4300** Panekta outlet connector to convert horizontal outlet wcs to S or turned P trap

ILLUSTRATED PRODUCT DETAILS

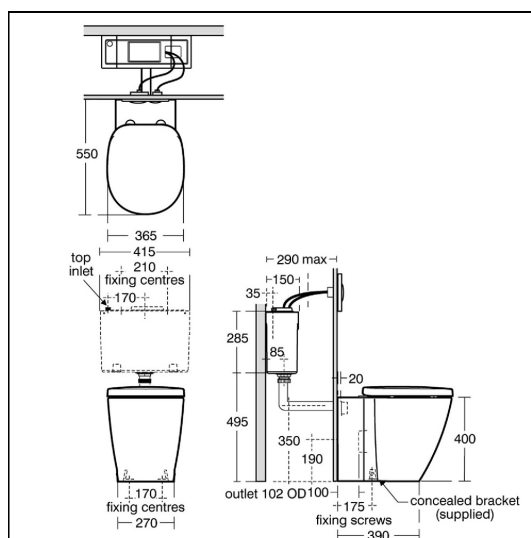
Weights

- E7916** 23.40 KG
- S3643** 2.70 KG
- E7917** 2.30 KG
- E4437** 0.46 KG

Finishes

- E7916** White (01)
- S3643** Neutral / No Finish (67)

Materials



ACCREDITATIONS

E2125(67)

Unified Water Label  6.0 Litres

S3643(67)

Unified Water Label  3.0 Average Flushing Volume (Litres)

S3617(67)

Unified Water Label  4.5 Average Flushing Volume (Litres)

S3640(67)

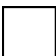

Unified Water Label  4.5 Average Flushing Volume (Litres)

S4270(67)

Unified Water Label  4.5 Average Flushing Volume (Litres)

Concept Back To Wall Pan HO

- E7916** Vitreous China
- S3643** Plastic
- E7917** Plastic
- E4437** Chrome Plated Plastic

- E7917**  White (01)
- E4437**  Chrome (AA)

Capacity

S3643 4.0 litres

Designer

Robin Levien, RDI

FINISH OPTIONS



(BX) Brushed Nickel

(AA) Chrome

Standards

Vitreous china to BS 3402. WC pan to BS EN 997 & BS EN 33

Special Notes

WC pan screwed to floor using concealed brackets (supplied). Joint to wall sealed with waterproof sealant (not supplied). Can be used with Concept furniture WC units.

S3620(67)



S3621(67)



S3599(67)



S3604(67)



S3636(67)



FEATURES

