

Concept Cube Close Coupled Back-To-Wall Toilet With Aquablade Technology

ILLUSTRATED

- E8228** Concept close coupled back-to-wall toilet bowl with horizontal outlet and Aquablade flush technology
- E7969** Concept Cube close coupled delay fill 4/2.6 litre cistern, dual flush push button valve, bottom supply and internal overflow
- E7726** Concept toilet seat and cover, slim with quick release, slow close

OPTIONS

- E7859** Concept Cube close coupled 6/4 litre cistern, dual flush push button valve, bottom supply and internal overflow
- E7725** Concept toilet seat and cover, slim
- E7917** Concept toilet seat and cover, slow close
- E7918** Concept toilet seat and cover
- S4300** Panekta outlet connector to convert horizontal outlet wcs to S or turned P trap
- S4305** Panekta outlet connector to convert horizontal outlet wcs to P trap

ILLUSTRATED PRODUCT DETAILS

Weights

- E8228** 31.00 KG
- E7969** 11.90 KG
- E7726** 2.10 KG

Materials

- E8228** Vitreous China
- E7969** Vitreous China
- E7726** Plastic

Finishes

- E8228** White (01)
- E7969** White (01)
- E7726** White (01)

Capacity

- E7969** 4.0 litres

Designer

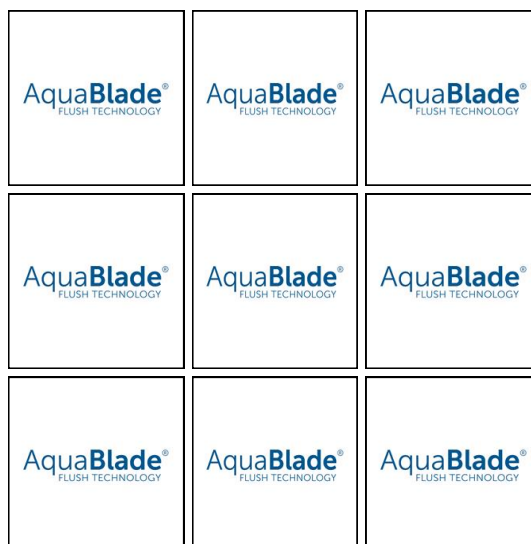
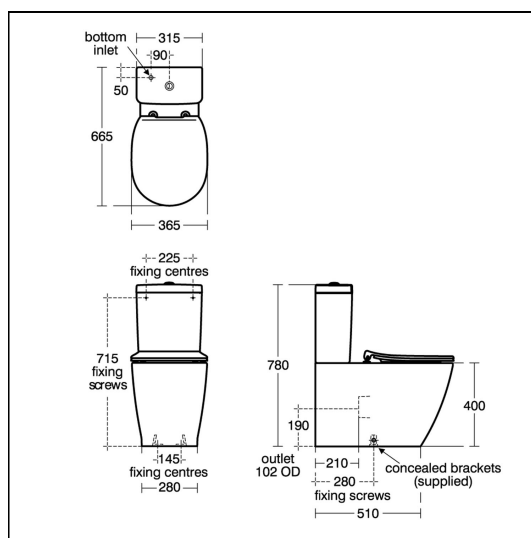
Robin Levien, RDI

Standards

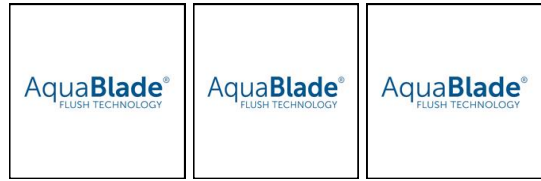
WC bowl to BS EN 997 & BS EN 33

Special Notes

WC screwed to floor using concealed brackets (supplied) and cistern screwed to wall



Concept Cube Close Coupled Back-To-Wall Toilet With Aquablade Technology



ACCREDITATIONS

E7859(01)



E7969(01)



FEATURES

