

Tesi Single Lever Basin Mixer, No Waste

ILLUSTRATED

A6587 Tesi single lever basin mixer smooth body and 5lpm eco flow regulator

ILLUSTRATED PRODUCT DETAILS

Weights

A6587 1.44 KG

Materials

A6587 Chrome Plated Metal

Finishes

A6587  Chrome (AA)

Flow rates

A6587 5 Litres per minute @ 3 bar pressure

Designer

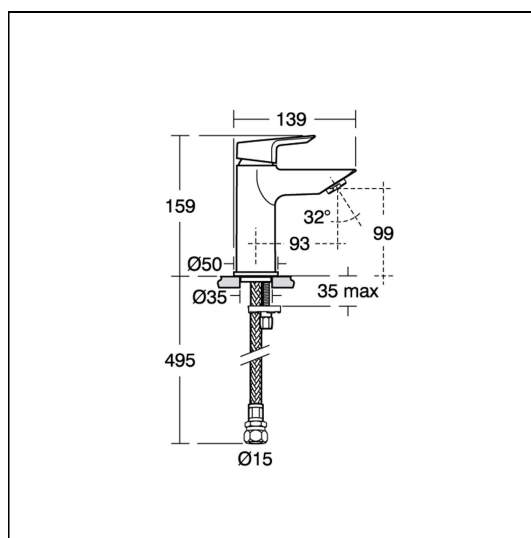
Artefakt Industriekultur

Standards

BS EN817

Special Notes

Suitable for balanced supplies. Inlets with flexible hoses and 15mm compression connections. Factory fitted 5 lpm flow regulator. Consideration should be given to safe hot water delivery and the use of an appropriate temperature reduction device such as A5900AA. Unregulated flow rate 4.7 litres per minute at 0.3 bar.



ACCREDITATIONS



FEATURES

