

# Concept Close Coupled WC Pan Cube

## ILLUSTRATED

- E7871** Concept close coupled WC pan with horizontal outlet
- E7969** Concept Cube close coupled delay fill, valve cistern 4/2.6 litre dual flush push button bottom supply and internal overflow
- E7917** Concept, seat and cover, slow close

## OPTIONS

- E7859** Concept Cube close coupled cistern 6/4 litres dual flush push button valve bottom supply and internal overflow
- E7918** Concept, seat and cover
- E7726** Concept, slim seat and cover, slow close
- E7725** Concept, slim seat and cover
- E3222** Panekta outlet Connector, finned pattern to convert horizontal outlet WCs to P trap
- S4300** Panekta outlet Connector, finned pattern to convert horizontal outlet WCs to S or turned P trap

## ILLUSTRATED PRODUCT DETAILS

### Weights

- E7871** 24.33 KG
- E7969** 11.90 KG
- E7917** 2.30 KG

### Materials

- E7871** Vitreous China
- E7969** Vitreous China
- E7917** Plastic

### Finishes

- E7871**  White (01)
- E7969**  White (01)
- E7917**  White (01)

### Capacity

- E7969** 4.0 litres

### Designer

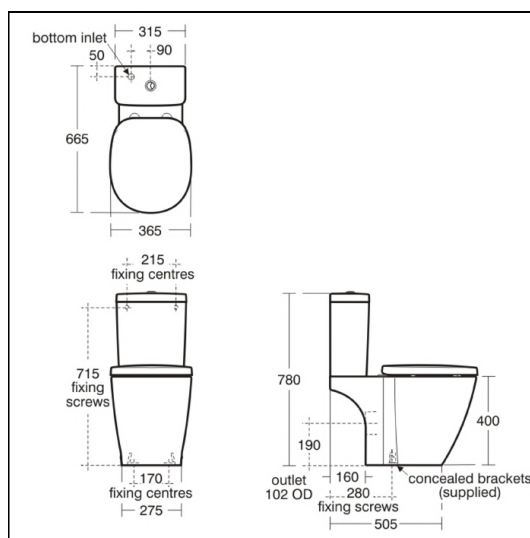
Robin Levien, RDI

### Standards

Vitreous china to BS 3402, BS EN 997 & BS EN 33

### Special Notes

WC screwed to floor and cistern screwed to wall



## ACCREDITATIONS

### E7859(01)

Unified <b>Water Label</b>		<b>4.5</b>	Average Flushing Volume (Litres)

### E7969(01)

Unified <b>Water Label</b>		<b>3.0</b>	Average Flushing Volume (Litres)



## FEATURES

