

# Concept Wall Mounted WC Pan

## ILLUSTRATED

- E7850** Concept wall mounted WC pan with horizontal outlet
- S3643** Conceala 2 cistern 4.5/3 or 4/2.6 litre dual flush valve side supply and internal overflow, alternative height plastic flushbends, no flushplate
- E7917** Concept, seat and cover, slow close
- E4437** Contemporary flush plate dual flush, Ideal Standard logo for Conceala 2 cisterns
- E0060** Support frame with bolts for wall hung WC pans

## OPTIONS

- S3624** Conceala 2 cistern 6/4 litre dual flush valve top inlet and internal overflow, alternative height plastic flushbends
- E7918** Concept, seat and cover
- E7726** Concept, slim seat and cover, slow close
- E7725** Concept, slim seat and cover
- S4310** Panekta outlet Connector, plain pattern to convert horizontal outlet WCs to S or turned P trap

## ILLUSTRATED PRODUCT DETAILS






### Weights

- E7850** 24.60 KG
- S3643** 2.70 KG
- E7917** 2.30 KG
- E4437** 0.46 KG
- E0060** 4.28 KG

### Materials

- E7850** Vitreous China
- S3643** Plastic
- E7917** Plastic
- E4437** Chrome Plated Plastic
- E0060** Metal

### Finishes

- E7850**  White (01)
- S3643**  Neutral / No Finish (67)
- E7917**  White (01)
- E4437**  Chrome (AA)
- E0060**  Neutral / No Finish (67)

### Capacity

- S3643** 4.0 litres

### Designer

Robin Levien, RDI

## FINISH OPTIONS



(BX) Brushed Nickel

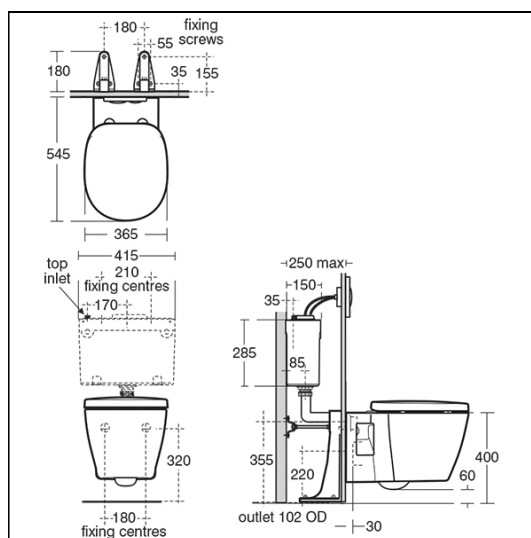
(AA) Chrome

### Standards

Vitreous china to BS 3402, BS EN 997 & BS EN 33

### Special Notes

E0060 support brackets secured to floor within the duct, WC fixed to support brackets with bolts supplied and bolts screwed to back wall with brackets. Joint sealed with waterproof sealant (not supplied). Can be used with furniture WC units, support brackets E0060 required.



## ACCREDITATIONS

### S3624(67)

Unified Water Label  4.5 Average Flushing Volume (Litres)

### S3643(67)

Unified Water Label  3.0 Average Flushing Volume (Litres)



## FEATURES

