

Jasper Morrison Wall Mounted WC Pan

ILLUSTRATED

- E6217** Jasper Morrison wall mounted WC pan with horizontal outlet
- S3624** Conceala 2 cistern 6/4 litre dual flush valve top inlet and internal overflow, alternative height plastic flushbends
- E6214** Jasper Morrison slow closing seat and cover, quick release
- E4437** Contemporary flush plate dual flush, Ideal Standard logo for Conceala 2 cisterns
- E0060** Support frame with bolts for wall hung WC pans

OPTIONS

- S3625** Conceala 2 cistern 4/6 litre dual flush valve bottom supply and internal overflow, alternative height plastic flushbends, no flushplate
- S3635** Conceala 2 cistern delay fill 4.5 litre single flush syphon low level bottom supply and internal overflow plastic flushbend, CP lever
- S3617** Conceala 2 cistern 4.5 or 6 litre single flush syphon side supply and internal overflow plastic flushbend, long CP lever
- S4270** Conceala 2 cistern 4.5 litre single flush valve delay fill bottom supply and internal overflow, alternative height plastic flushbends
- S3640** Conceala 2 cistern 4.5 litre single flush valve side supply and internal overflow, alternative height plastic flushbends
- S3599** Sensorflow 21 WC flushing device, panel mounted sensor complete with concealed valve and 4 or 4.5 litre duct cistern
- S3604** Sensorflow 21 WC flushing device, panel mounted sensor complete with concealed valve and 4 or 4.5 litre delay fill duct cistern
- E6203** Jasper Morrison seat and cover, quick release
- E6204** Jasper Morrison seat only, quick release
- S4512** Finger push button pneumatic, stainless steel for 31mm maximum thickness partition
- S4504** Contemporary flush plate dual flush, Armitage Shanks logo, for Conceala 2 cisterns
- E3222** Panekta outlet Connector, finned pattern to convert horizontal outlet WCs to P trap
- S4300** Panekta outlet Connector, finned pattern to convert horizontal outlet WCs to S or turned P trap

ILLUSTRATED PRODUCT DETAILS





Weights

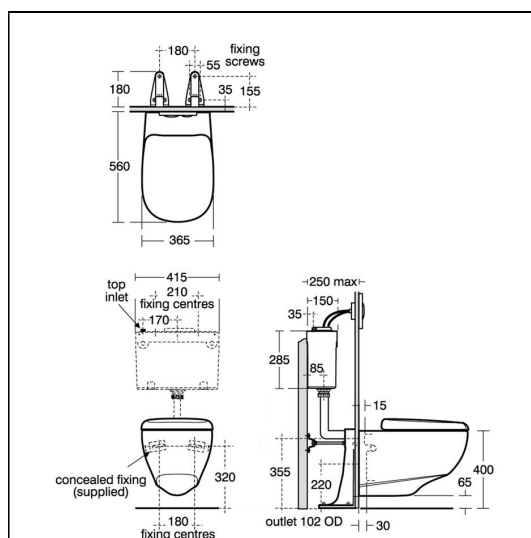
- E6217** 29.52 KG
- S3624** 3.00 KG
- E6214** 2.70 KG
- E4437** 0.46 KG
- E0060** 4.28 KG

Materials

- E6217** Vitreous China
- S3624** Plastic

Finishes

- E6217**  White (01)
- S3624**  Neutral / No Finish (67)
- E6214**  White (01)
- E4437**  Chrome (AA)



ACCREDITATIONS

S3624(67)



S3625(67)



S3635(67)



Jasper Morrison Wall Mounted WC Pan

E6214 Plastic
E4437 Chrome Plated Plastic
E0060 Metal

E0060 Neutral / No Finish (67)

Capacity

S3624 6.0 litres

Designer

Jasper Morrison

FINISH OPTIONS



(BX) Brushed Nickel

(AA) Chrome

Standards

WC pan to BS EN 997 & BS EN 33

Special Notes

E0060 support brackets screwed to floor within the duct. WC pan fixed to support brackets and bolts screwed to back wall with brackets. Joint sealed with waterproof sealant (not supplied).

S3617(67)



S4270(67)



S3640(67)



S3599(67)



S3604(67)



FEATURES

