

# Tempo 1 Hole Bath Filler

## ILLUSTRATED

**B0732** Tempo 1 hole bath filler

### OPTIONS

**A5901** TMV thermostatic mixing valve 22mm

### ILLUSTRATED PRODUCT DETAILS

#### Weights

**B0732** 2.68 KG

#### Finishes

**B0732**  Chrome (AA)

#### Materials

**B0732** Chrome Plated

#### Flow rates

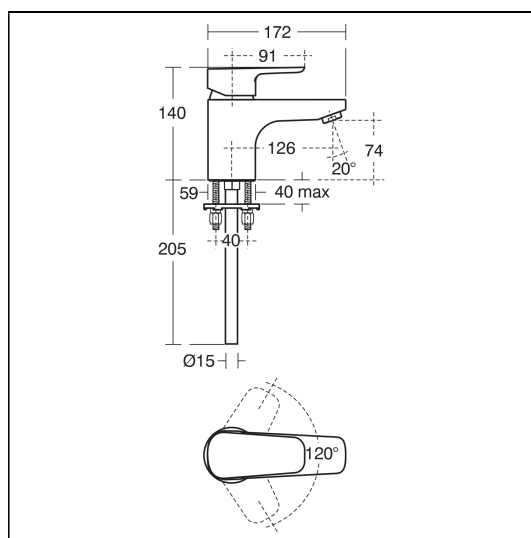
**B0732** 50 Litres per minute @ 3 bar pressure

#### Designer

Artefakt Industriekultur

#### Special Notes

Suitable for balanced supplies. Inlets with connections for 15mm copper tubes. Unregulated flow 15.2 litres per minute at 0.2 bar. Consideration should be given to safe hot water delivery and the use of an appropriate temperature reduction device, please see A5900AA (for use with 15mm pipework) or A5901AA (for use with 22mm pipework).



### ACCREDITATIONS



1601012