

Tempo Basin Pillar Taps

ILLUSTRATED

B0728 Tempo basin pillar taps

OPTIONS

A5900 TMV Thermostatic mixing valve 15mm

ILLUSTRATED PRODUCT DETAILS

Weights

B0728 2.95 KG

Materials

B0728 Chrome Plated

Finishes

B0728  Chrome (AA)

Flow rates

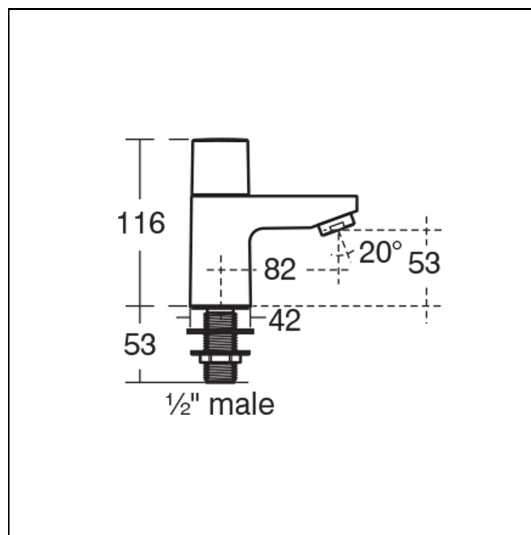
B0728 45 Litres per minute @ 3 bar pressure

Designer

Artefakt Industriekultur

Special Notes

Suitable for balanced/unbalanced supplies. Inlets suitable for 15mm copper tubes. When installed in commercial applications a thermostatic blending valve must be used, please see A5900AA (for use with 15mm pipework) or A5901AA (for use with 22mm pipework). Unregulated flow rate 8.3 litres per minute at 0.1 Bar.



ACCREDITATIONS



1501011