

# Concept Air Project Basin Mixer No Waste

## ILLUSTRATED

**A7064** Concept Air project single lever basin mixer, no waste

## OPTIONS

**A5900** TMV Thermostatic mixing valve 15mm

## ILLUSTRATED PRODUCT DETAILS

### Weights

**A7064** 1.43 KG

### Finishes

**A7064**  Chrome (AA)

### Materials

**A7064** Chrome Plated Brass

### Flow rates

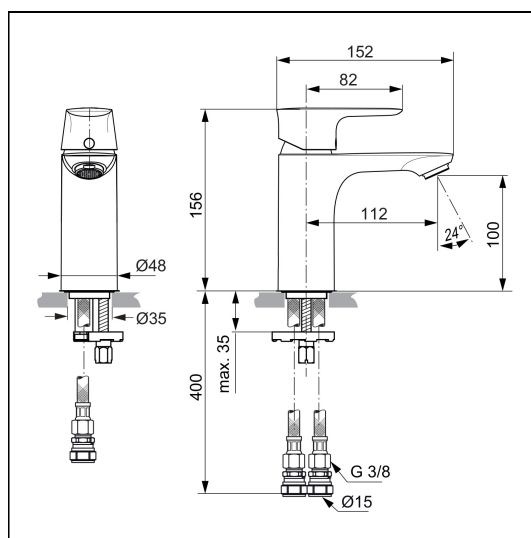
**A7064** 5 Litres per minute @ 3 bar pressure

### Designer

Quadro

### Special Notes

Suitable for balanced supplies. Inlets with flexible hoses and connections for 15mm copper tails. Consideration should be given to safe hot water delivery and the use of an appropriate temperature reduction device, please see A5900AA (for use with 15mm pipework) or A5901AA (for use with 22mm pipework). Fitted with a 5 litre per minute outlet flow regulator. Flow rate 4.6 litres per minute at 1 Bar with regulator fitted.



## ACCREDITATIONS

**A7064(AA)**

