

Concept Air Project Basin Mixer

ILLUSTRATED

A7063 Concept Air project single lever basin mixer with pop-up waste

OPTIONS

A5900 TMV Thermostatic mixing valve 15mm

ILLUSTRATED PRODUCT DETAILS

Weights

A7063 1.63 KG

Finishes

A7063  Chrome (AA)

Materials

A7063 Chrome Plated Brass

Flow rates

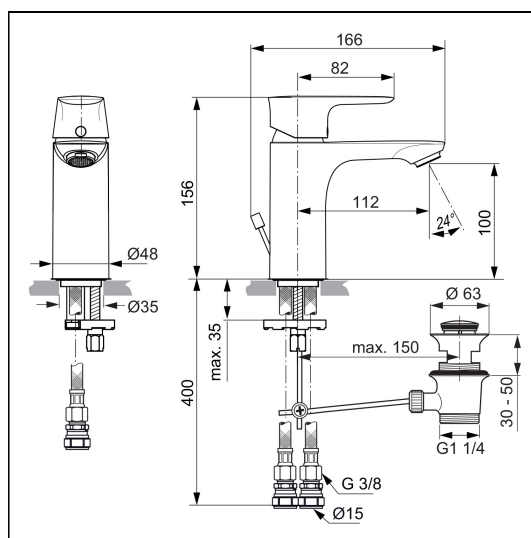
A7063 5 Litres per minute @ 3 bar pressure

Designer

Quadro

Special Notes

Suitable for balanced supplies. Inlets with flexible hoses and connections for 15mm copper tails. Consideration should be given to safe hot water delivery and the use of an appropriate temperature reduction device, please see A5900AA (for use with 15mm pipework) or A5901AA (for use with 22mm pipework). Fitted with a 5 litre per minute outlet flow regulator. Flow rate 4.6 litres per minute at 1 Bar with regulator fitted.



ACCREDITATIONS

A7063(AA)

