

Concept Air Tall Basin Mixer No Waste

ILLUSTRATED

A7049 Concept Air tall single lever basin mixer, no waste

OPTIONS

A5900 TMV Thermostatic mixing valve 15mm

ILLUSTRATED PRODUCT DETAILS

Weights

A7049 1.93 KG

Finishes

A7049  Chrome (AA)

Materials

A7049 Chrome Plated Brass

Flow rates

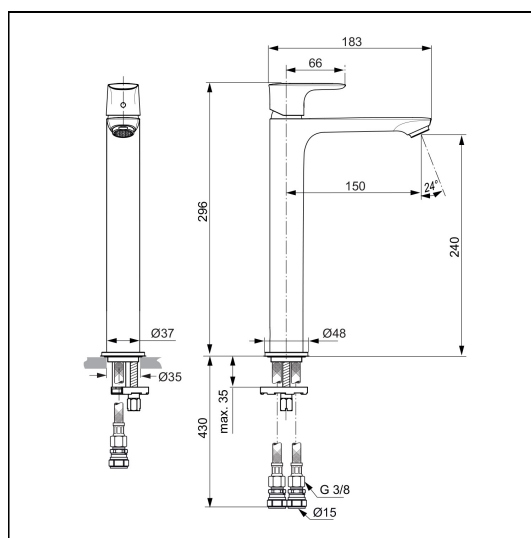
A7049 5 Litres per minute @ 3 bar pressure

Designer

Quadro

Special Notes

Suitable for balanced supplies. Inlets with flexible hoses and connections for 15mm copper tails. Consideration should be given to safe hot water delivery and the use of an appropriate temperature reduction device, please see A5900AA (for use with 15mm pipework) or A5901AA (for use with 22mm pipework). Fitted with a 5 litre per minute outlet flow regulator.



ACCREDITATIONS

A7049(AA)

Unified
Water Label



5.00 Litres
Per
Minute