

MONSOON

Standard Twin Pumps

Standard Twin pumps are designed for installation into vented systems to equally boost both the hot and cold water supplies to the whole house, bathroom or simply the shower.

Monsoon standard pumps require a flow of just 0.6 litres per minute through the outlet to start the pump and are suitable for positive head applications.

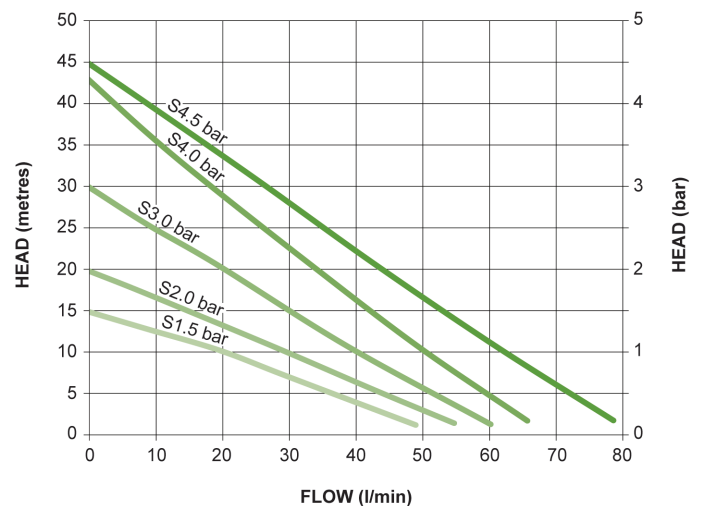


Features

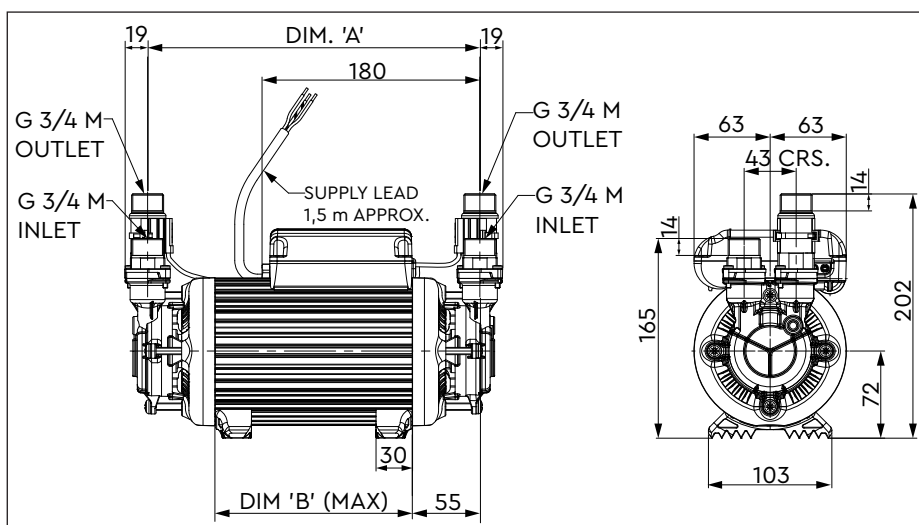
- 5 year guarantee
- 1.5 – 4.5 bar options
- Suitable for positive head applications
- Premium quality brass pump supplied with flexible hoses with integral ISO valves
- Very quiet operation
- WRAS approved product
- Continuously rated
- Anti-vibration feet
- EPDM/PTFE/Al. Oxide seal
- Pre-wired with 1.5 metre power cable
- **UK Specification:** Supplied with 22 mm push-in x 300 mm anti-vibration flexible hoses with integral isolating valves
- **ROI Specification:** Supplied with 21 mm push-in x 300 mm anti-vibration flexible hoses with integral isolating valves
- **Export Specification:** Supplied with G 3/4 female x 300 mm long hoses

Application

- Boosting hot and cold water supplies to taps, showers, a complete bathroom or the whole house in low pressure gravity systems
- Suitable for use where there is already more than 1 litre/sec flow from the outlet(s) to be boosted



Pump Model		S1.5 bar Twin 46506	S2.0 bar Twin 46415	S3.0 bar Twin 46416	S4.0 bar Twin 46417	S4.5 bar Twin 46418
General	Guarantee	5 years				
	WRAS approval	1904040				
	Approvals	WRAS, CE				
Features	Pump type	Peripheral				
	Mechanical seal	EPDM / PTFE / Al. Oxide				
	Anti-vibration feet	✓	✓	✓	✓	✓
	Inlet strainer(s)	✓	✓	✓	✓	✓
	Flexible hoses	4	4	4	4	4
	Dry run protection	✓	✓	✓	✓	✓
	Noise (dB(A))	48	52	54	56	57
Materials	Pump body	Brass				
	Impeller	Brass				
Performance	Maximum head (closed valve)	1.5 bar (15 metres)	2.0 bar (20 metres)	3.0 bar (30 metres)	4.2 bar (42 metres)	4.5 bar (45 metres)
	Performance @ 9 l/min	1.2 bar	1.5 bar	2.5 bar	3.5 bar	3.9 bar
	Performance @ 18 l/min	1.1 bar	1.3 bar	2.1 bar	3.0 bar	3.4 bar
	Maximum flow	49 l/min	55 l/min	60 l/min	65 l/min	78 l/min
	Maximum static inlet pressure	14 metres				
	Maximum working pressure*	600 kPa (6 bar)				
	Maximum ambient air temperature	40 °C				
	Min / Max water temperature**	Min 4 °C / Max 65 °C				
	Flow switch sensitivity (approx)	0.6 l/min				
Connections	Pump connections	G ¾ male				
Flexible hoses	Connections (UK model)	G ¾ female x 22 mm push-in x 300 mm long, isolating valves on all hoses				
	Connections (ROI model)	G ¾ female x 21 mm push-in x 300 mm long, isolating valves on all hoses				
	Connections (Export model)	G ¾ female x G ¾ female x 300 mm long				
Motor	Type	Induction, auto-reset thermal trip				
	Duty rating	Continuous (S1) @ 9 l/min and above***				
Electrical	Power supply / phase / frequency	230 V a.c. / 1 / 50 Hz				
	Current (full load)	1.5 Amps	1.9 Amps	2.8 Amps	4.0 Amps	4.9 Amps
	Power consumption	345 Watts	425 Watts	640 Watts	890 Watts	1090 Watts
	Fuse rating	5 Amps			13 Amps	
	Power cable (pre-wired)	1.5 metres				
Physical	Enclosure protection	IPX4				
	Length	265 mm			300 mm	310 mm
	Width	126 mm				
	Height (excluding hoses)	202 mm				
	Weight (including fittings)	7.2 Kg		7.5 Kg	9.4 Kg	9.9 Kg



* The maximum pressure that can be applied to the pump under any installation conditions.

** A stored water temperature of 60 °C is considered sufficient to meet all normal requirements and will minimise deposition of scale in hard water areas.

*** Both heads pumping 4.5 l/min and above.

Pump Description	Dim. 'A'	Dim. 'B'
S1.5 bar Twin	227 mm	119 mm
S2.0 bar Twin	227 mm	119 mm
S3.0 bar Twin	227 mm	119 mm
S4.0 bar Twin	262 mm	154 mm
S4.5 bar Twin	272 mm	164 mm

Stuart Turner Limited reserves the right to amend specifications without notice.

Stuart Turner Ltd, Henley-on-Thames, Oxfordshire RG9 2AD Tel: +44 (0) 1491 572655 Fax: +44 (0) 1491 573704
 TechAssist Helpline +44 (0) 800 31 969 80
www.stuart-turner.co.uk

Pt. No. 19211 Issue 2819/3-02