

# AQUALISA

700.51.01

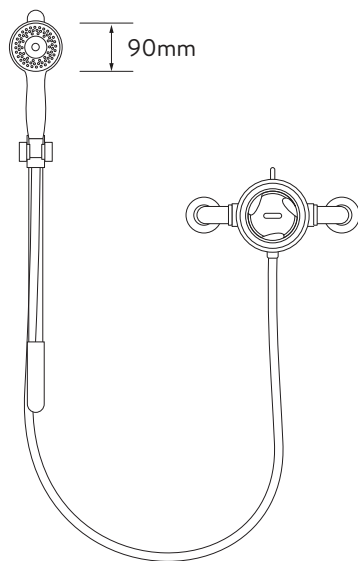
# AQUAVALVE 700 THERMO EXPOSED MIXER SHOWER

CHROME

(The above SKU doesn't come with the heads shown as standard)

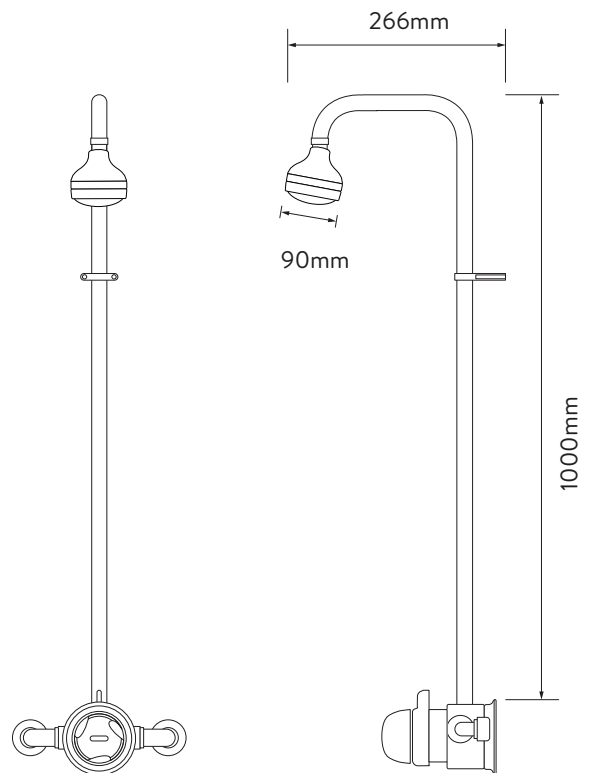
## DIMENSIONAL DRAWINGS

### ADJUSTABLE HEAD

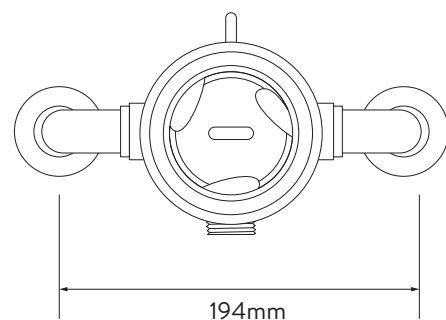
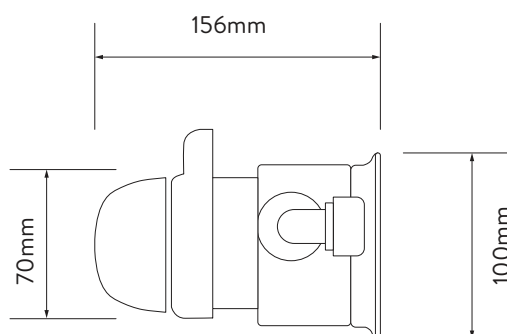


99.40.01 (VARISPRAY)  
99.20.01 (TURBOSTREAM)

### FIXED HEAD



99.51.01 (VARISPRAY)  
99.31.01 (TURBOSTREAM)



# AQUALISA

700.51.01

# AQUAVALVE 700 THERMO EXPOSED MIXER SHOWER

## CHROME

### TECHNICAL SPECIFICATIONS

MINIMUM PRESSURE REQUIREMENTS	0.1 bar
MAXIMUM PRESSURE REQUIREMENTS	10 bar
INLET FITTING CONNECTIONS	15mm compression
INLET SUPPLY POSITIONS	Hot/left, cold/right
OUTLET CONNECTIONS	3/4" BSP
SUPPLY TEMPERATURE	5 - 20°C Cold Supply 55 - 65°C Hot Supply
WATER SYSTEM	Gravity, Boosted Gravity, Combi and Balanced High Pressure
FEATURES	Quality, solid brass shower valve
	Choice of varispray or turbostream height adjustable or fixed shower head with multiple spray patterns
	Accessorise by adding body-jets
	Maximum temperature can be set at installation
COLOUR	Chrome
GUARANTEE PERIOD	3-year guarantee (valve)
	2-year guarantee (head and kit)