

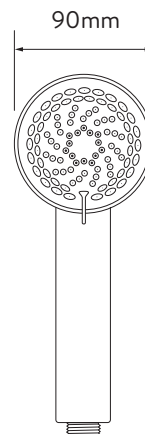
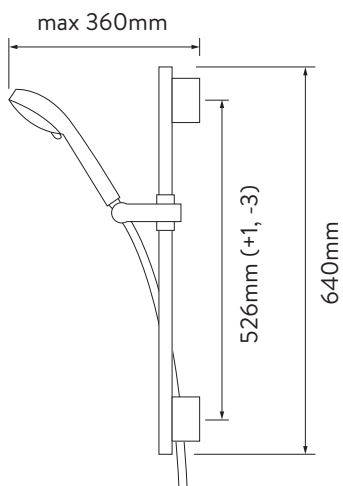
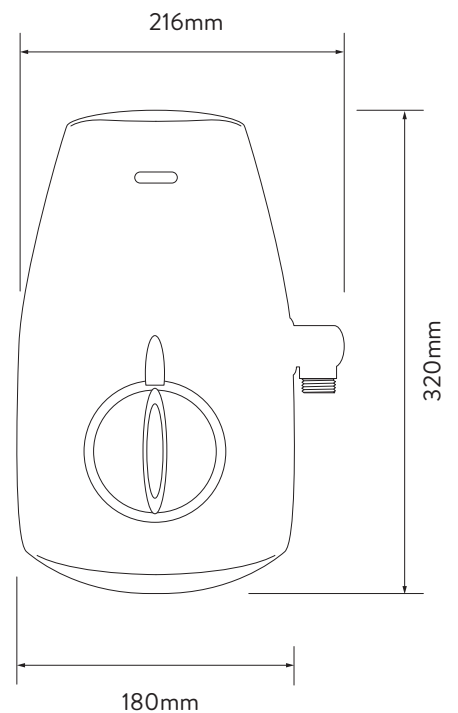
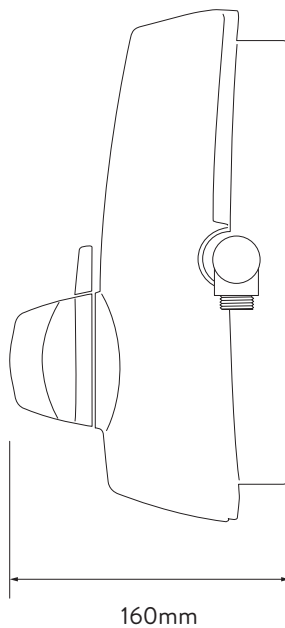
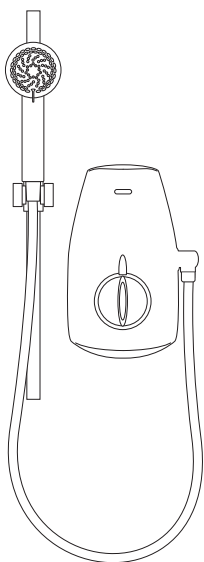
AQUALISA

813.40.01

AQUASTREAM™ THERMO MIXER POWER SHOWER

WITH ADJUSTABLE HEAD - SATIN CHROME

DIMENSIONAL DRAWINGS



AQUALISA

813.40.01

AQUASTREAM™ THERMO MIXER POWER SHOWER

WITH ADJUSTABLE HEAD - SATIN CHROME

TECHNICAL SPECIFICATIONS

MINIMUM PRESSURE REQUIREMENTS	Highest point of shower head must be below the underside of the cistern
MAXIMUM PRESSURE REQUIREMENTS	1 bar
INLET FITTING CONNECTIONS	15mm Push Fit
INLET SUPPLY POSITIONS	Hot/left, cold/right
OUTLET CONNECTIONS	1/2" BSP
VALVE INLET CENTRES	65mm
SUPPLY TEMPERATURE	5 - 20°C Cold Supply 55 - 65°C Hot Supply
WATER SYSTEM	Gravity-fed systems
FEATURES	Integrated booster pump Choice of 2 flow rates - 10 litres or 18 litres per minute 90mm adjustable height Harmony shower head 4 spray patterns, including a water saving eco-spray pattern
COLOUR	Satin Chrome
GUARANTEE PERIOD	Shower unit 3 years Shower head and rails 2 years
APPROVALS	BEAB