

Sensorflow 21 WC Flushing Device, 4 or 4.5 Litre Cistern & Panel Mounted Sensor

ILLUSTRATED

S3599 Sensorflow 21 WC flushing device, panel mounted sensor complete with concealed valve and 4 or 4.5 litre duct cistern

ILLUSTRATED PRODUCT DETAILS

Weights

S3599 3.00 KG


Materials

S3599 Plastic

Standards

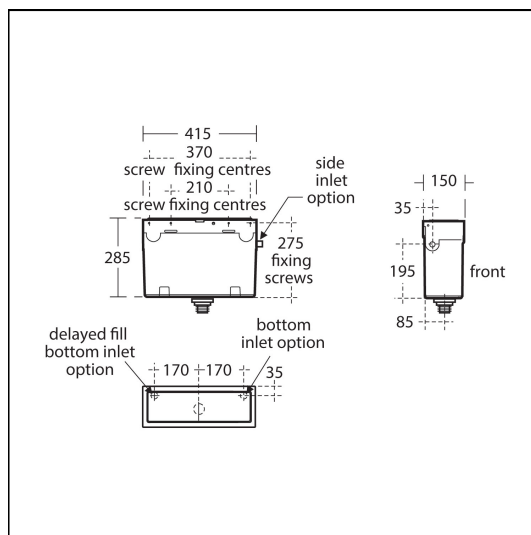
Cistern to BS EN 14055

Finishes

S3599  Neutral / No Finish (67)

Capacity

S3599 4.5 litres



ACCREDITATIONS



Inlet Valve
1610073

FEATURES

