

# SM385 W

## SMILE Electric Shower Range Smile 8.5kw Electric Shower White



### Features:

- 15mm push-fit inlet connection
- Available in 8.5kW and 9.5kW power ratings @240V
- Draws water directly from mains supply, at working pressures between 0.7 bar and 10 bar
- On/Off button; start the shower at the temperature last used
- Single function rub-clean anti-limescale handset

### Product Certifications:



WRAS Cert. Number: 1312053  
WRAS Expiry Date: 31/12/2018



Intertek



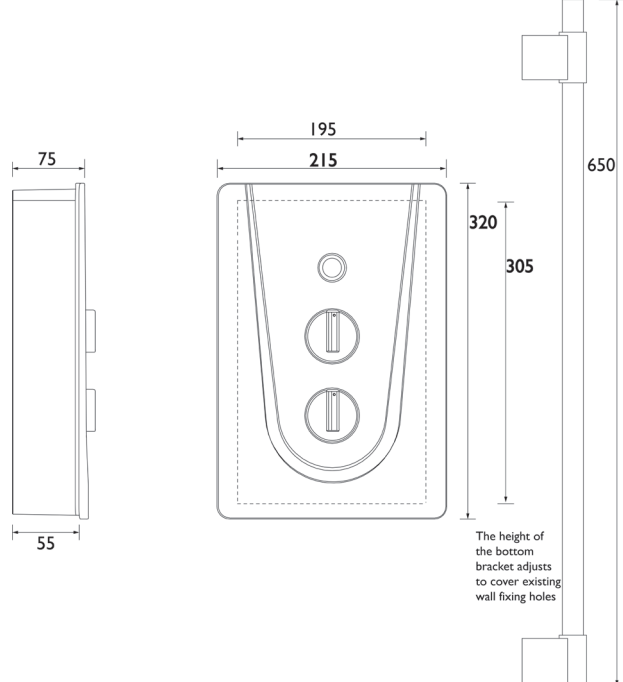
For more products, visit our website:  
<http://www.bristan.com>



### Specification

|                                |                          |
|--------------------------------|--------------------------|
| Finish/Colour:                 | White                    |
| Main Construction Material:    | ABS Plastic              |
| No of Controls:                | 3                        |
| Control Type:                  | Push Button & Dials      |
| Shower Type:                   | Electric Shower          |
| Shower Head Type:              | Single Function Handset  |
| Working Pressure Range: (bar)  | Min 0.7 Bar, Max 10 Bar  |
| Maximum Static Pressure: (bar) | 10                       |
| Plumbing System Suitability:   | Mains Cold Feed Only     |
| Connection Inlet:              | 15mm Push-Fit Connection |
| Connection Outlet:             | G ½"                     |
| Thermostatic:                  | No                       |
| Isolation Valve Included:      | No                       |
| Check Valve Included:          | No                       |
| Power Rating:                  | 8.5 KW (Standard)        |
| Phased Shutdown Feature:       | No                       |
| Energy Rating:                 | <b>A</b>                 |

### Dimensions (measurements in mm)



### Flow Rates (l/min)

| Power     | 8.5kW | 9.5kW | 10.5kW |
|-----------|-------|-------|--------|
| Flow Rate | 4.5   | 5.1   | 5.6    |

Quoted as per European Water Label (EWL) scheme conditions:  
Output - 42°C, Input - 15°C, Voltage - 240V

## TECHNICAL DATA SHEET



# BRISTAN

TAPS & SHOWERS

D11