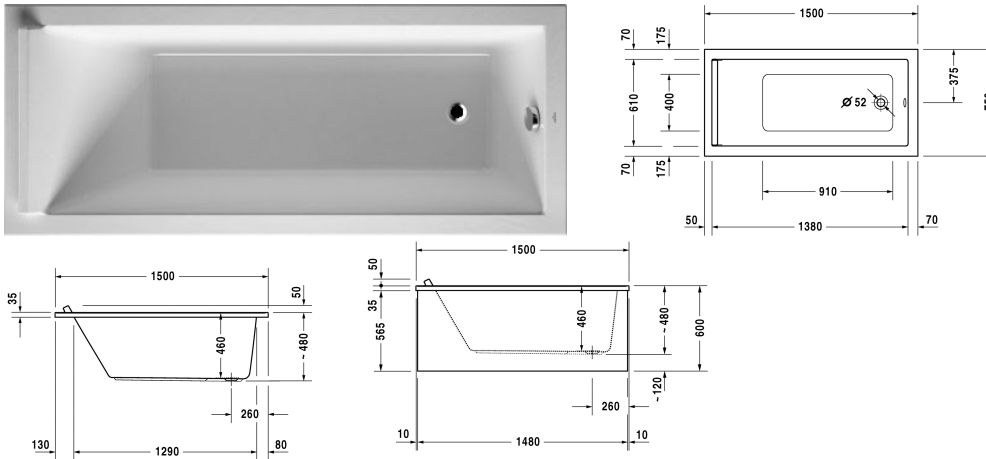


**Bathtub with support feet (for standard installation) # 70034300000000**

| < 1500 mm > |



Bathtub with support feet (for standard installation)	Dimension	Weight	Order number
rectangle, built-in or for panel, sanitary acrylic , Filling capacity 140 l			
<b>Colors</b>			
00 White Alpin			
<b>Variant</b>			
Basic model	1500 x 750 mm	26.700 kg	70034300000000
<b>Suitable setting</b>			
LED coloured light with remote control for bathtubs, (white -00, chrome -10)			790840
<b>Suitable panels</b>			
Furniture panel for corner right, for # 7X0332 (1500 x 750 mm), for # 700343 (1500 x 750 mm)	1490 x 740 mm		ST8916
Furniture panel for niche, for # 7X0331 (1500 x 700 mm), for # 7X0332 (1500 x 750 mm), for # 700342 (1500 x 700 mm), for # 700343 (1500 x 750 mm)	1490 mm		ST8936
Furniture panel for back-to-wall version, for # 7X0332 (1500 x 750 mm), for # 700343 (1500 x 750 mm)	1480 x 740 mm		ST8923
Furniture panel for corner left, for # 7X0332 (1500 x 750 mm), for # 700343 (1500 x 750 mm)	1490 x 740 mm		ST8909
<b>Suitable products</b>			
Bathtub anchors for mounting and support of bathtubs and shower trays, 3 pieces,			790103
Rubber profile for noise reduction, length: 3300 mm,			790104
Acrylic panel front, for Starck bath- and whirltubs, 1500 mm,			701065

**Bathtub with support feet (for standard installation) #  
70034300000000**

|< 1500 mm >|

Acrylic panel side, for Starck bath- and whirltubs, 750 mm,	701072
Waste and overflow Quadroval chrome, for bathtubs with outlet on the side, outlet diameter 52 mm, length of bowden cable 530 mm,	790285
Waste and overflow Quadroval with water inlet, chrome, *, for bathtubs with outlet on the side, outlet diameter 52 mm, length of bowden cable 530 mm,	790286
Headrest for Starck, material: polyurethane, white,	790010
Noise reduction set for acrylic bathtubs ****, Contents: noise protection bathtub anchors, bitumen pads, rubber profile # 790104,	791368

*All drawings contain the necessary measurements which are subject to standard tolerances. Exact measurements, in particular for customised installation scenarios, can only be taken from the finished ceramic piece.*