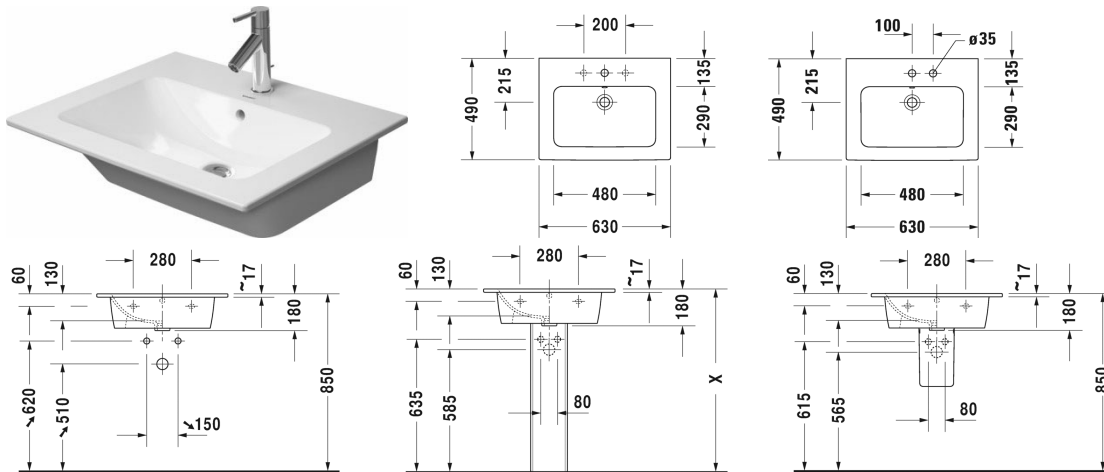


**Washbasin, furniture washbasin # 2336630000 / 2336630030 / 2336630058 / 2336630060**

| < 630 mm > |



Washbasin, furniture washbasin	Dimension	Weight	Order number
with overflow, with tap platform, 630 mm			
<b>Colors</b>			
00 White Alpin			
<b>Variant</b>			
●	630 x 490 mm	17.600 kg	2336630000
● ● ●	630 x 490 mm	17.600 kg	2336630030
● ●	630 x 490 mm	17.600 kg	2336630058
☒	630 x 490 mm	17.600 kg	2336630060
Sanitary ceramics with the special WonderGliss surface finish will remain clean and attractive-looking for a long time to come. When ordering WonderGliss please add a "1" as eleventh digit to the model number.			
<b>Accessory</b>			
Space saving waste	1 1/4" mm	0.400 kg	005076
<b>Suitable products</b>			
Vanity unit wall-mounted 1 pull-out compartment, for ME by Starck # 233663, 620 x 481 mm	620 x 481 mm		LC6140
Vanity unit wall-mounted 2 drawers, upper drawer including cut-out for siphon and siphon cover, for ME by Starck # 233663, 620 x 481 mm	620 x 481 mm		LC6240
Vanity unit floor-standing 2 pull-out compartments, upper pull-out compartment including cut-out for siphon and siphon cover, for ME by Starck # 233663, 620 x 481 mm			LC6625

**Washbasin, furniture washbasin # 2336630000 / 2336630030 /  
2336630058 / 2336630060**

|< 630 mm >|

Pedestal for # 233565, 233560, 233555, 233613, 233612, 233610, 233683, 233663, 175 x 210 mm	175 x 210 mm	085839
Semi pedestal for # 233565, 233560, 233555, 233613, 233612, 233610, 233683, 233663, 170 x 300 mm	170 x 300 mm	085840
Vanity unit wall-mounted 1 pull-out compartment, for ME by Starck # 233663, 600 x 475 mm	600 x 475 mm	KT6418
Vanity unit wall-mounted 2 drawers, upper drawer including cut-out for siphon and siphon cover, for ME by Starck # 233663, 600 x 475 mm	600 x 475 mm	KT6428
Vanity unit wall-mounted 1 pull-out compartment, for ME by Starck # 233663, 620 x 479 mm	620 x 479 mm	BR4001
Vanity unit wall-mounted 2 drawers, upper drawer including cut-out for siphon and siphon cover, for ME by Starck # 233663, 620 x 479 mm	620 x 479 mm	BR4101
Vanity unit floor-standing 2 pull-out compartments, upper pull-out compartment including cut-out for siphon and siphon cover, for ME by Starck # 233663, 620 x 479 mm	620 x 479 mm	BR4401
Vanity unit wall-mounted 1 pull-out compartment, for ME by Starck # 233663, 610 x 478 mm	610 x 478 mm	XS4071
Vanity unit wall-mounted 2 drawers, upper drawer including cut-out for siphon and siphon cover, for ME by Starck # 233663, 610 x 478 mm	610 x 478 mm	XS4171
Vanity unit floor-standing 2 pull-out compartments, upper pull-out compartment including cut-out for siphon and siphon cover, integrated base frame legs with height adjustment, for ME by Starck # 233663, 610 x 478 mm	610 x 478 mm	XS4445
Vanity unit wall-mounted 1 pull-out compartment, for ME by Starck # 233663, 600 x 475 mm	600 x 475 mm	XB6030
Vanity unit wall-mounted 2 drawers, upper drawer including cut-out for siphon and siphon cover, for ME by Starck # 233663, 600 x 475 mm	600 x 475 mm	XB6120
Vanity unit wall-mounted 1 pull-out compartment, for ME by Starck # 233663, 610 x 480 mm	610 x 480 mm	XV4025
Vanity unit wall-mounted 2 drawers, upper drawer including cut-out for siphon and siphon cover, for ME by Starck # 233663, 610 x 480 mm	610 x 480 mm	XV4125
Vanity unit floor-standing 2 pull-out compartments, upper pull-out compartment including cut-out for siphon and siphon cover, for ME by Starck # 233663, 610 x 480 mm	610 x 480 mm	XV4481

*All drawings contain the necessary measurements which are subject to standard tolerances. Exact measurements, in particular for customised installation scenarios, can only be taken from the finished ceramic piece.*