

# VAX HNK C

## LEVER Tap Range X Head High Neck Pillar Taps Chrome



Specification	
Style:	Contemporary
Product Type:	Taps
Finish/Colour:	Chrome
Main Construction Material:	Brass
Mount Type:	Deck
Handle Type:	Cross Head
Connection Inlet:	1/2" BSP
Number of Tap Holes Required:	2
Valve/Cartridge Type:	Manual
Plumbing System Suitability	All - Ideally balanced
Working Pressure Range:	Min 0.2 bar, Max 5.0 bar
Maximum Hot Water Temperature: °c	65
Maximum Dynamic Pressure: (bar)	7
Maximum Static Pressure: (bar)	10
Flow Type:	Single
Flow Rate: (l/min @ 3 bar)	53.2
Connection Outlet:	N/A
Isolation Included:	N/A

### Features:

- Supplied with metal heads
- Supplied with metal back nuts
- Chrome plated to BS EN 248

### Product Certifications:

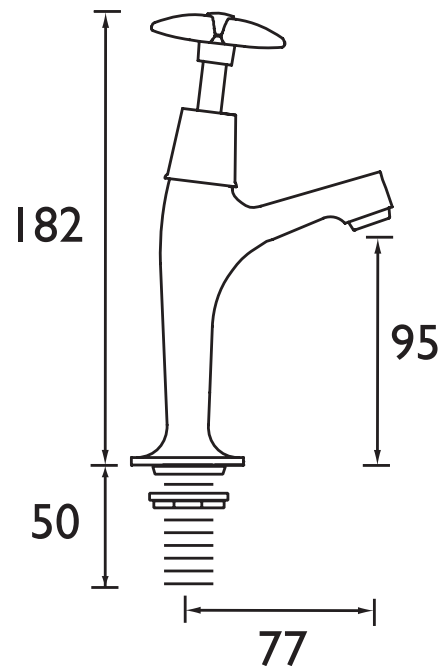
WRAS Certificate no. 1905900  
WRAS Expiry: 31/05/2024



For more products, visit our website:



### Dimensions (measurements in mm)



### Flow Rates (l/min)

System Pressure (bar)	0.2	0.5	1	2	3	5
VAX HNK C	13.6	21.7	31	43.5	53.2	68.7

TECHNICAL  
DATA  
SHEET



**BRISTAN**  
TAPS & SHOWERS

D9