

RS DSM BN

RENAISSANCE Tap Range

Renaissance Deck Sink Mixer
Brushed Nickel



Features:

- Ceramic disc
- Dual flow

Product Certifications:

WRAS Certificate no. 1307032
WRAS Expiry: 31/07/2018



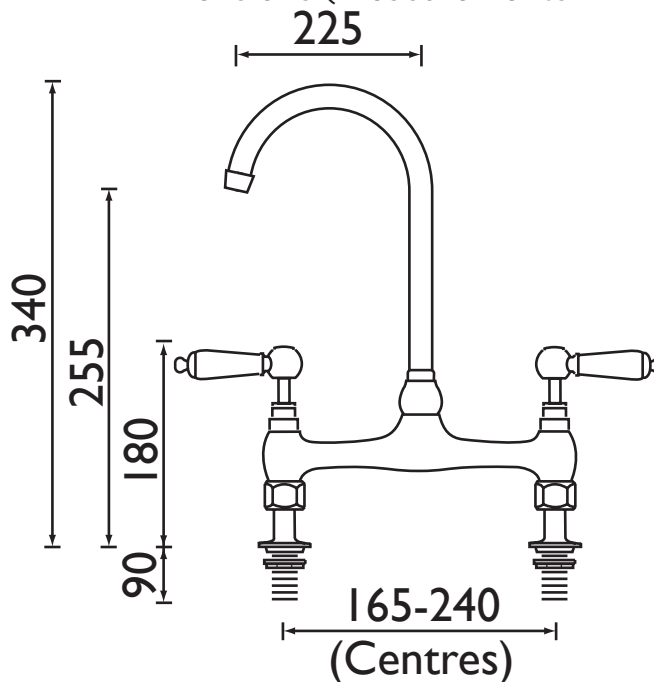
For more products, visit our website:



Specification

Style:	Traditional
Product Type:	Kitchen Taps
Finish/Colour:	Brushed Nickel
Main Construction Material:	Brass
Mount Type:	Deck
Handle Type:	Lever
Connection Inlet:	1/2 inch BSP
Number of Tap Holes Required:	2
Valve/Cartridge Type:	1/4 Turn Ceramic Disc
Plumbing System Suitability	All
Working Pressure Range:	Min 0.2 Bar, Max 8.0 Bar
Maximum Hot Water Temperature: °c	65
Maximum Dynamic Pressure: (bar)	8
Maximum Static Pressure: (bar)	10
Flow Type:	Dual flow
Flow Rate: (l/min @ 3 bar)	58.7
Connection Outlet:	N/A
Isolation Included:	N/a

Dimensions (measurements in mm)



Flow Rates (l/min)

System Pressure (bar)	0.2	0.5	1	2	3	5
RS DSM BN	13.5	23.1	34.3	47.9	58.7	71.7

TECHNICAL DATA SHEET



BRISTAN

TAPS & SHOWERS

D10