

JU BID C

JUTE Tap Range

Jute Bidet Mixer With Pop Up Waste Chrome



Specification	
Style:	Contemporary
Product Type:	Bathroom Taps
Finish/Colour:	Chrome
Main Construction Material:	Brass
Mount Type:	Deck
Handle Type:	Lever
Connection Inlet:	M10 x 300mm Flexible Tails
Number of Tap Holes Required:	1
Valve/Cartridge Type:	40mm Cartridge
Plumbing System Suitability	All
Working Pressure Range:	Min. 0.2 bar, Max. 7.0 bar
Maximum Hot Water Temperature: °c	65
Maximum Dynamic Pressure: (bar)	7
Maximum Static Pressure: (bar)	10
Flow Type:	Single Flow
Flow Rate: (l/min @ 3 bar)	22.4
Connection Outlet:	Aerator
Isolation Included:	No

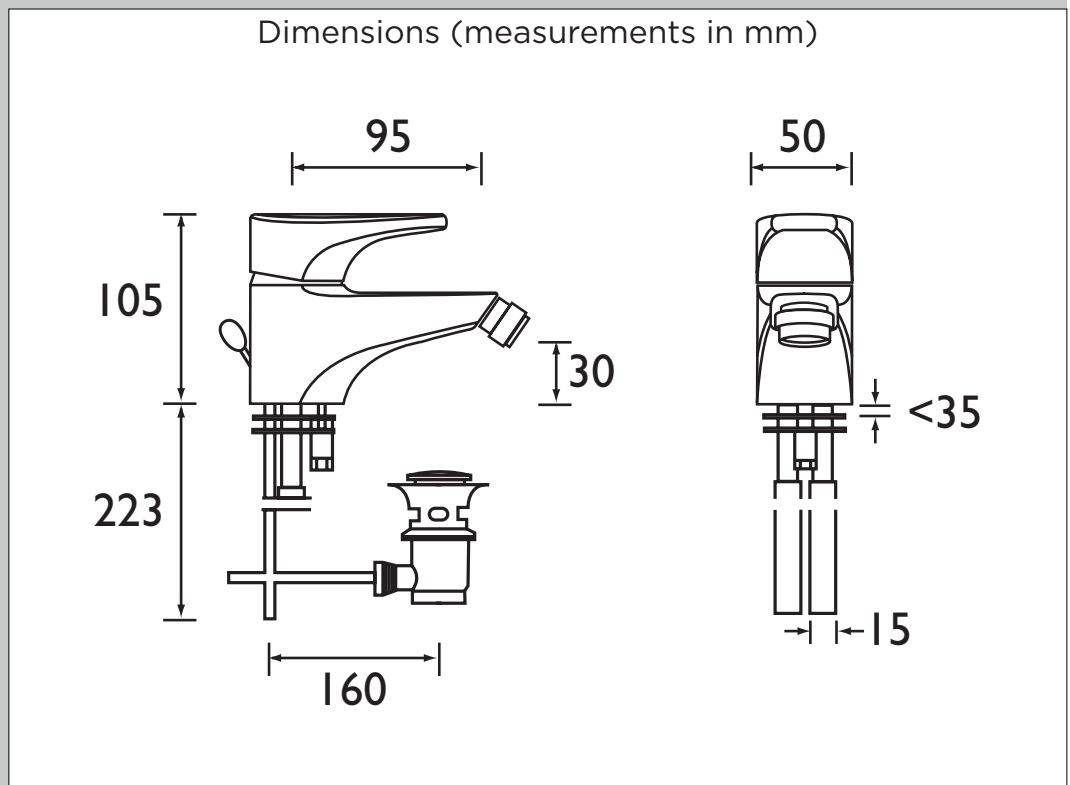
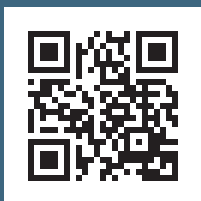
Features:

- Metal fixing nut
- Flexi tails
- Ceramic Cartridge
- Metal handle
- Chrome plated to BS EN 248

Product Certifications:



For more products, visit our website:



Flow Rates (l/min)						
System Pressure (bar)	0.2	0.5	1	2	3	5
JU BID C	5.3	8.8	12.9	18.4	22.4	28.6

TECHNICAL
DATA
SHEET



BRISTAN
TAPS & SHOWERS

D7