

J MBAS C

JAVA Tap Range Java Miniature Basin Mixer with Clicker Waste Chrome

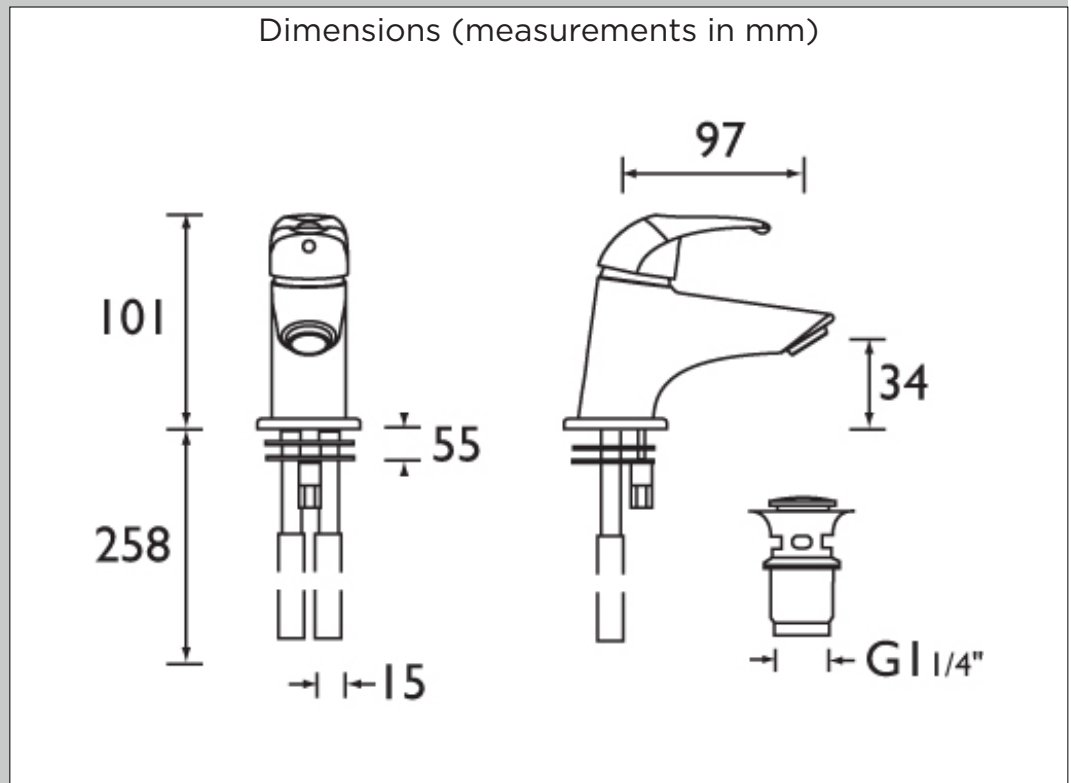


Specification	
Style:	Contemporary
Product Type:	Bathroom Taps
Finish/Colour:	Chrome
Main Construction Material:	Brass
Mount Type:	Deck Mounted
Handle Type:	Single Lever
Connection Inlet:	M10 x 15mm Screw-in Copper Pipes
Number of Tap Holes Required:	1
Valve/Cartridge Type:	25mm Ceramic Cartridge
Plumbing System Suitability	All
Working Pressure Range:	Min. 0.5 bar, Max. 5.0 bar
Maximum Hot Water Temperature: °c	65
Maximum Dynamic Pressure: (bar)	5
Maximum Static Pressure: (bar)	10
Flow Type:	Single
Flow Rate: (l/min @ 3 bar)	12.2
Connection Outlet:	M20 Flow Straightener
Isolation Included:	No

Features:

- Brass construction
- Ceramic disc cartridge for smooth temperature and flow control
- Metal fixing nut for added durability
- Requires minimum operating pressure 0.3 bar

Product Certifications:



For more products, visit our website:



Flow Rates (l/min)						
System Pressure (bar)	0.2	0.5	1	2	3	5
J MBAS C	3.1	4.9	7	9.9	12.2	15.5

TECHNICAL
DATA
SHEET



BRISTAN
TAPS & SHOWERS

D6