

# HA BF C

# HAMPTON Tap Range

## Hampton Bath Filler Chrome

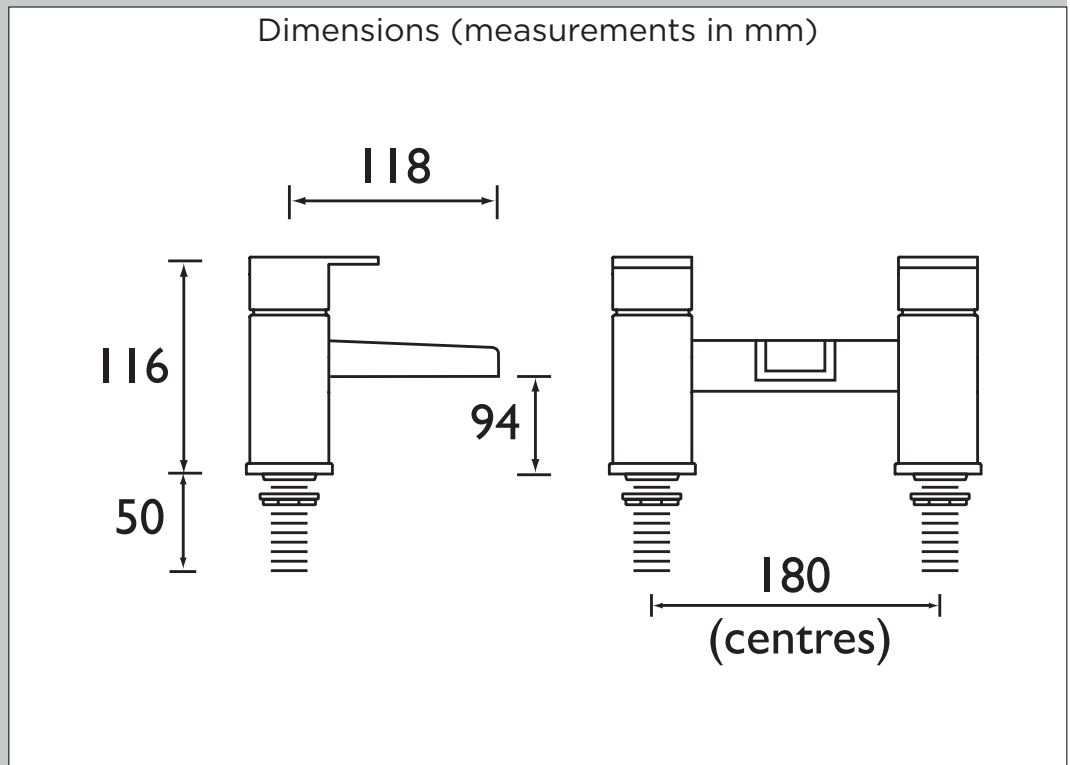


Specification	
Style:	Contemporary
Product Type:	Bath Filler
Finish/Colour:	Chrome
Main Construction Material:	Brass
Mount Type:	Deck Mounted
Handle Type:	Lever Turn
Connection Inlet:	3/4" BSP
Number of Tap Holes Required:	2
Valve/Cartridge Type:	1/4 Turn 3/4" Ceramic Disc Valves
Plumbing System Suitability	High Pressure
Working Pressure Range:	Min. 1.0 Bar, Max. 5.0 Bar
Maximum Hot Water Temperature: °c	65
Maximum Dynamic Pressure: (bar)	5
Maximum Static Pressure: (bar)	10
Flow Type:	Single
Flow Rate: (l/min @ 3 bar)	18
Connection Outlet:	Rectangular Flow Straightener
Isolation Included:	No

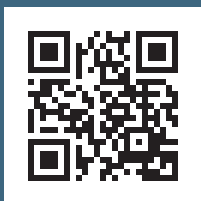
### Features:

- Metal lever handles
- Ceramic Disc
- 3/4" valves

### Product Certifications:



For more products, visit our website:



Flow Rates (l/min)					
System Pressure (bar)	1	2	3	4	5
HA BF C	13.9	18	18	18	18.3

## TECHNICAL DATA SHEET



# BRISTAN

TAPS & SHOWERS

D3