

GLORIOUS

Thermostatic Recessed Dual Control Shower Valve Only

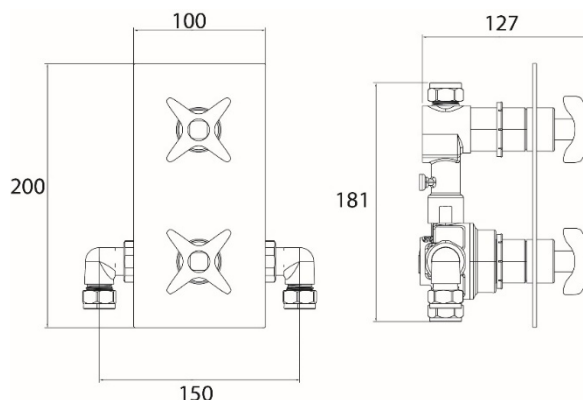
Product Specification

Product Code:	GLR SHCVO C
Finish:	Chrome
Product Type:	Contemporary
Construction:	Body is of brass construction
Supply:	Suitable for all plumbing conditions, preferably balanced.
Inlet Connections:	15mm Compression connections
Working Pressures:	Min 0.2 Bar, Max 5.0 Bar



Additional Information

- Chrome plated to BS EN 248
- Suitable for cavities between 58-75mm
- Minimum cold water supply temperature is 5°C
- Maximum hot water supply temperature is 80°C
- Flow rates at 0.2 Bar (open outlet without flow regulators) 9.0 l/min
- Requires rear access to service the filters
- Cartridge can be accessed from the front



Flow Rates (litres per minute)

System Pressure	0.2bar	0.5bar	1.0bar	2.0bar	3.0bar	5.0bar
GLR SHCVO C - Outlet 1	7.5	14.1	21	30.5	37.36	48.23

Compliance/Approvals

WRAS Certificate No: 1409055

Technical Advice: For further information please call 0844 7016273 or email customer@bristan.com

Guarantee: 5 years covering manufacturing faults.

