

# TECHNICAL DATA SHEET

## FLUTE

### Concealed Sequential Shower Valve with Fixed Head Kit

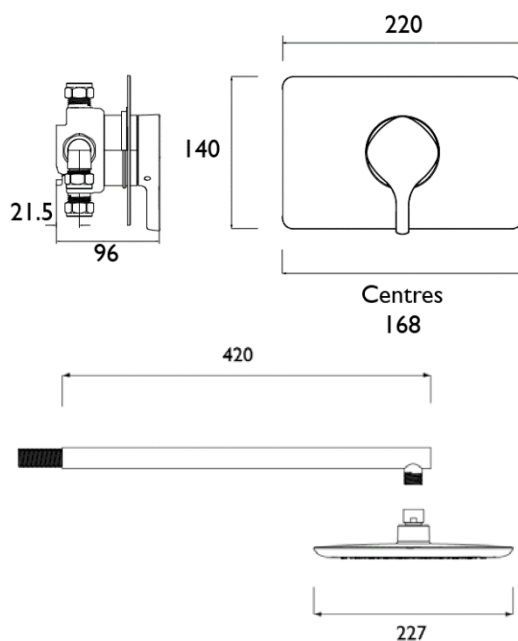
## Product Specification

Product Code:	FLT SQSHCFH C
Finish:	Chrome
Connection Inlet:	15mm Compression
Maximum Temperature:	Pre-set 42oC
Pressure Range:	Min 0.1 Bar, Max 5.0 Bar
Dimensions for Fitting:	168mm inlet centres



## Additional Information

- Chrome plated to BS EN 248:2002
- Supplied with 2 x 8 l/min. flow regulators
- Rub clean Shower Rose
- Factory fitted regulators means this is a water saving shower
- Matching taps available



## Flow Rates (litres per minute)

System Pressure	0.1bar	0.2bar	0.5bar	1bar	2bar	3bar	5bar
Through Rose, with Flow Regulators	---	---	7.9	10.8	11.3	12.1	10.2
Through Rose, without Flow Regulators	1.9	4.7	8.6	12.9	18.9	23.15	29.88

**Technical Advice:** For further information please call 0844 7016273 or email [customer@bristan.com](mailto:customer@bristan.com)

**Guarantee:** 5 years covering manufacturing faults.