

# DX 3/4 C

## DECADE Tap Range Decade Bath Taps Chrome



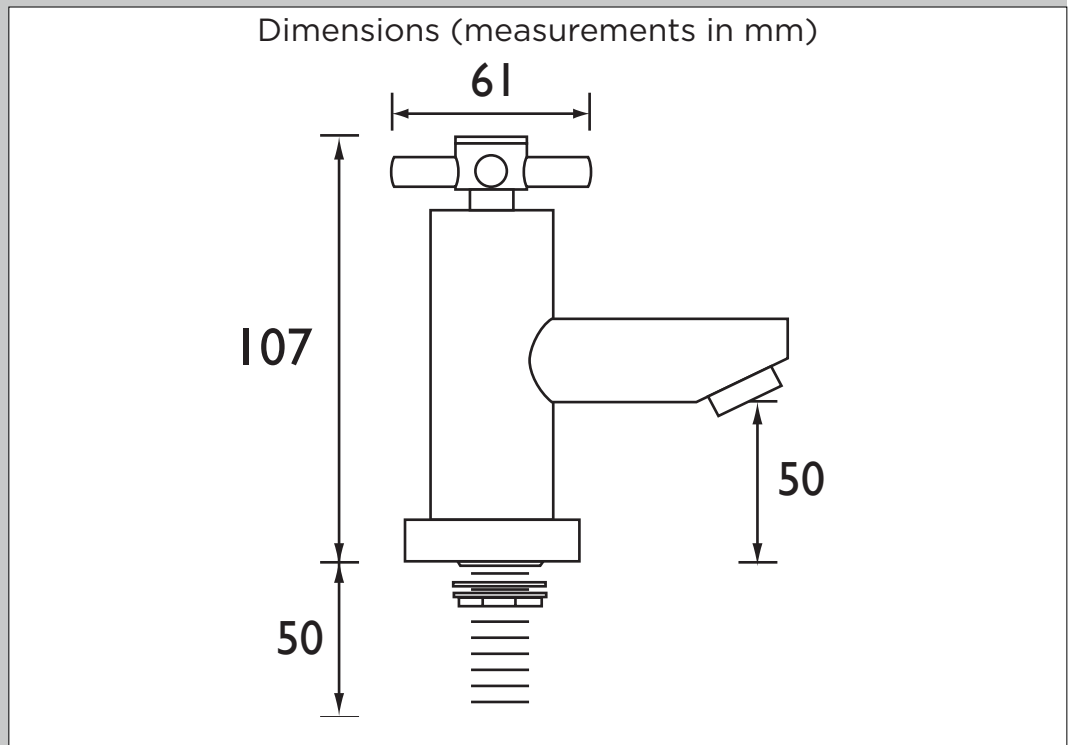
Specification	
Style:	Contemporary
Product Type:	Bathroom Taps
Finish/Colour:	Chrome
Main Construction Material:	Brass
Mount Type:	Deck
Handle Type:	Cross Head
Connection Inlet:	3/4" BSP
Number of Tap Holes Required:	2
Valve/Cartridge Type:	3/4" Ceramic Disc Valves
Plumbing System Suitability	All
Working Pressure Range:	Min 0.2 Bar, Max 7.0 Bar
Maximum Hot Water Temperature: °c	65
Maximum Dynamic Pressure: (bar)	7
Maximum Static Pressure: (bar)	10
Flow Type:	Single Flow
Flow Rate: (l/min @ 3 bar)	54.9
Connection Outlet:	
Isolation Included:	No

### Features:

- Metal Backnuts
- Ceramic Disc

### Product Certifications:

WRAS Certificate No: 1311084  
WRAS Expiry Date: 30/11/2018



For more products, visit our website:



Flow Rates (l/min)						
System Pressure (bar)	0.2	0.5	1	2	3	5
DX 3/4 C (Hot)	10.5	16.4	23.1	32.7	40	51.7
DX 3/4 C (Cold)	14.3	22.4	31.7	44.8	54.9	70.9

TECHNICAL  
DATA  
SHEET



**BRISTAN**  
TAPS & SHOWERS

D3