

CLR SHXDIVFF C

CLARET Shower Range Claret Thermostatic Exposed Bar Valve with Rigid Riser and Integral Diverter to Handset Chrome



Specification

Style:	Contemporary
Finish/Colour:	Chrome
Main Construction Material:	Brass
No of Controls:	2
Shower Type:	Exposed Bar
Shower Head Type:	Both
Valve/Cartridge Type:	Thermostatic
Maximum Hot Water Supply Temperature	80
Dynamic Pressure Range: (bar)	5
Maximum Static Pressure: (bar)	10
Plumbing System Suitability:	All, Preferably Balanced
Working Pressure Range:	Min. 0.5, Max. 5.0
Flow Rate: (l/min @ 3 bar)	11
Connection Inlet:	15mm Compression
Connection Outlet:	G 1/2"
Isolation Valve Included:	No
Check Valve Included:	No

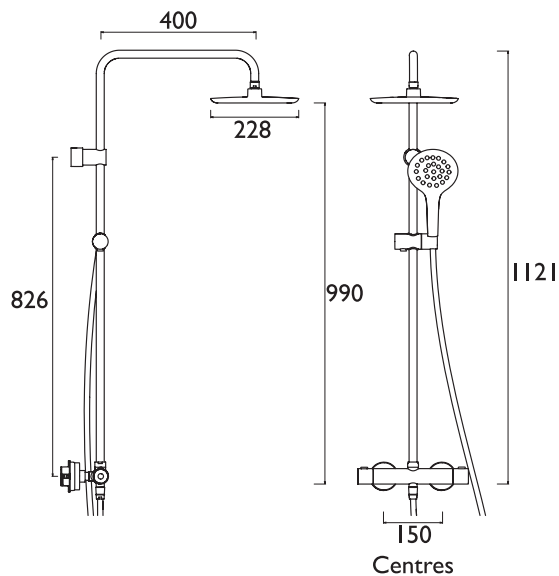
Features:

- Supplied with metal handles
- Integral two outlet diverter
- Fast fit connectors for easy first fit installation
- Supplied with stylish push button multi function rub clean handset and hose

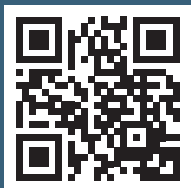
Product Certifications:



Dimensions (measurements in mm)



For more products, visit our website:
<http://www.bristan.com>



Flow Rates (l/min)

System Pressure (bar)	0.5	1	2	3	4	5
Through Handset	4.5	6.3	8.9	11	12.7	14.2
Through Fixed Head	6.3	8.9	12.6	15.5	17.9	20.1

TECHNICAL DATA SHEET



BRISTAN

TAPS & SHOWERS

D3