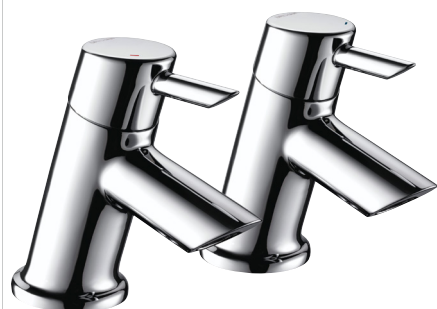


# AE 3/4 C

## ACUTE Tap Range Acute Bath Taps Chrome



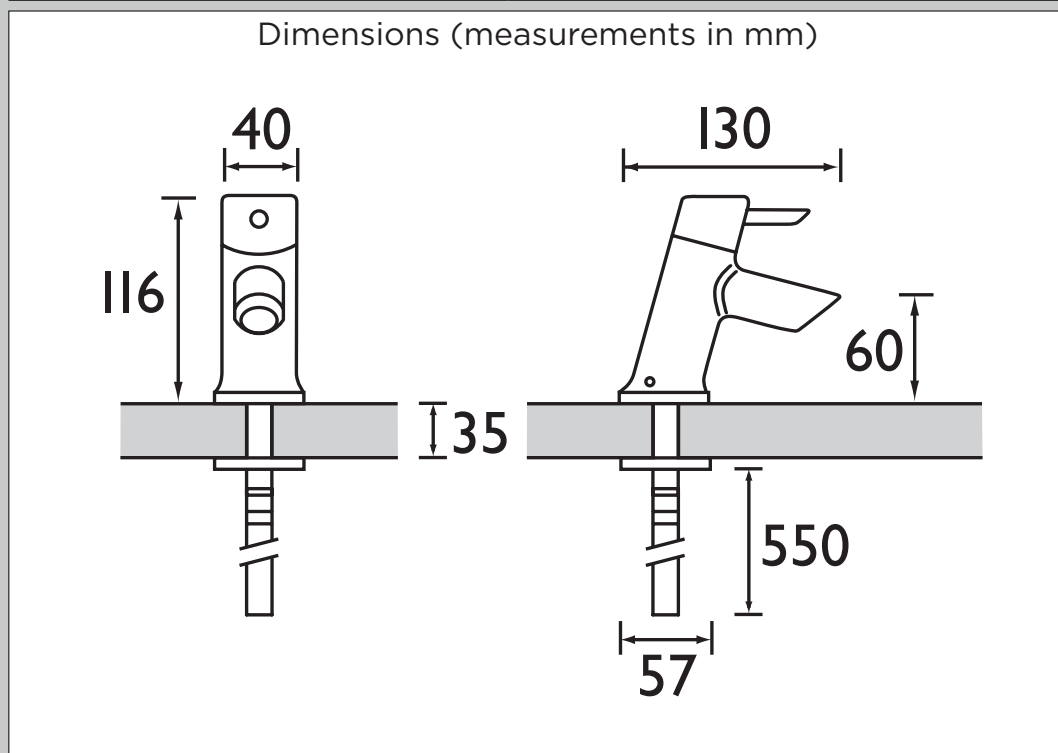
Specification	
Style:	Contemporary
Product Type:	Bathroom Taps
Finish/Colour:	Chrome
Main Construction Material:	Brass
Mount Type:	Deck
Handle Type:	Lever
Connection Inlet:	M16 x 500mm Flexible Tails
Number of Tap Holes Required:	2
Valve/Cartridge Type:	3/4" Ceramic Disc Valves
Plumbing System Suitability	All, preferably balanced
Working Pressure Range:	Min 0.2 Bar, Max 5.0 Bar
Maximum Hot Water Temperature: °c	65
Maximum Dynamic Pressure: (bar)	5
Maximum Static Pressure: (bar)	10
Flow Type:	Single Flow
Flow Rate: (l/min @ 3 bar)	54.9
Connection Outlet:	
Isolation Included:	Yes

### Features:

- Easyfit
- Metal Fixing Nut
- Supplied with flexi tails and integral isolators
- Ceramic Disc

### Product Certifications:

For more products, visit our website:



Flow Rates (l/min)						
System Pressure (bar)	0.2	0.5	1	2	3	5
AE 3/4 C (Hot)	14	22.5	31.4	44.8	54.9	70.8
AE 3/4 C (Cold)	13.1	20.8	29.6	42.2	51.8	67

TECHNICAL  
DATA  
SHEET



**BRISTAN**  
TAPS & SHOWERS

D3